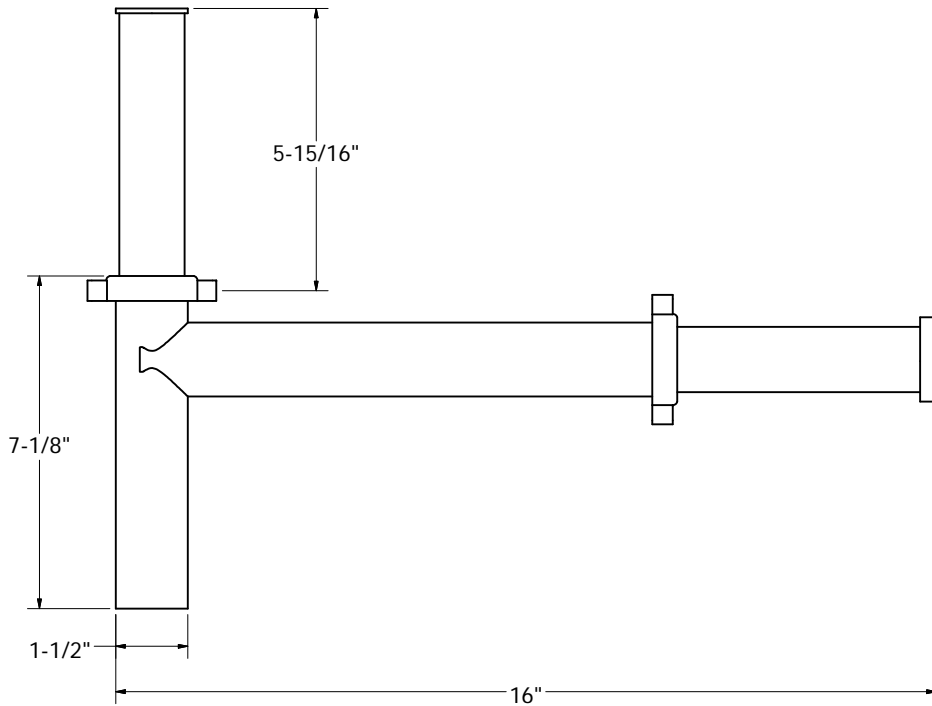
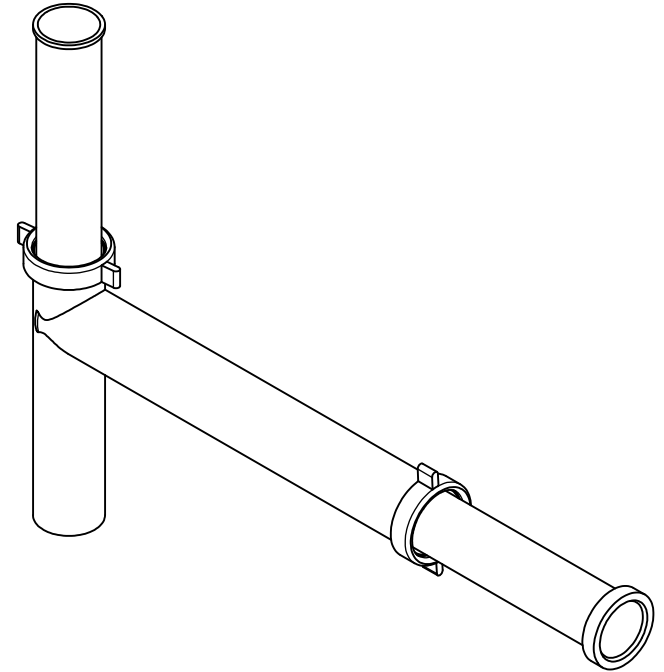
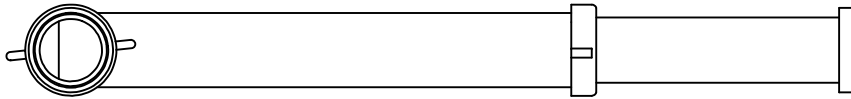


1-1/2" PVC DIRECT CONNECTION DISPOSER KIT W/ADJUSTABLE ARM



- TELESCOPING ARM AJUSTS UP TO 16"
- POLY WASHESH AND WING NUTS
 - DISPOSER WASHER
 - BAFFLE TEE
 - 6" TAILPIECE



PHONE NUMBER
1-800-355-6637
 FAX NUMBER
1-800-462-6991
 SCALE .5 : 1 DATE 8-05-11
 SHEET
1 OF 1
 DRAWN BY
ASHLEY KRALOVEC

PART NO.	P37035				
SIZE	1-1/2" X 16"				