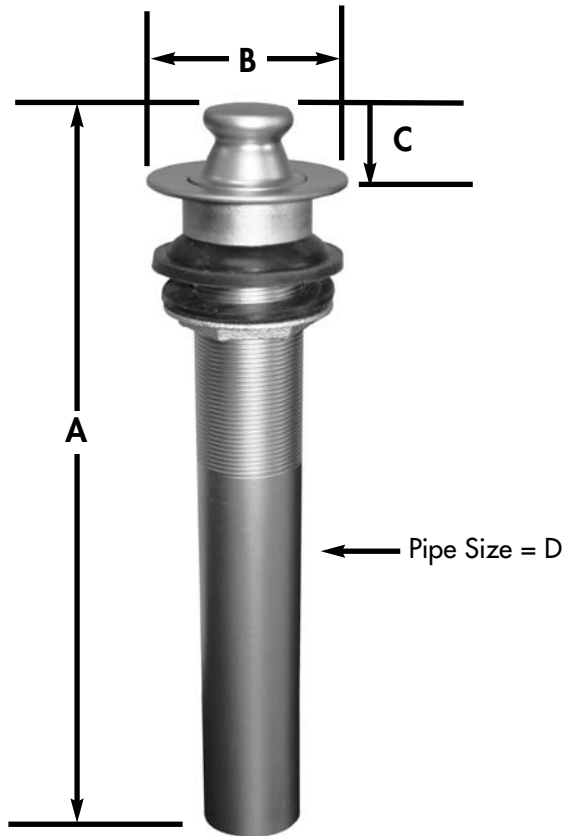


# SPECIFICATION SUBMITTAL SHEET

j o n e s   s t e p h e n s   c o r p o r a t i o n

## LAV DRAIN WITHOUT OVERFLOW HOLES



**PART NO.: P35-00RB**

### features and benefits:

- Oil Rubbed Bronze
- For vessel sinks

This product and others like it can be found in the Jones Stephens catalog. Call today to order your catalog or download it from our website: [www.plumbest.com](http://www.plumbest.com)

PART NO.	DESCRIPTION	A	B	C	D
□ P35-00RB	Lav drain without overflow holes	9 1/8"	2 1/4"	7/8"	1 1/4"

jones stephens corporation  
3249 moody parkway • moody, alabama 35004  
toll free phone: 1-800-355-6637 • toll free fax: 1-800-462-6991  
[www.plumbest.com](http://www.plumbest.com)