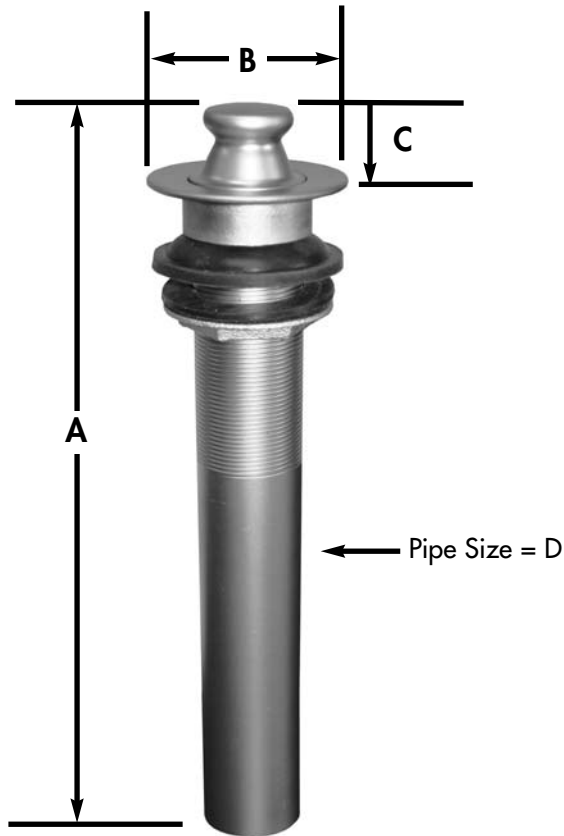


# SPECIFICATION SUBMITTAL SHEET

jones stephens corporation

## LAV DRAIN WITHOUT OVERFLOW HOLES



**PART NO.: P35-00BN**

### features and benefits:

- Brushed nickel
- For vessel sinks

This product and others like it can be found in the Jones Stephens catalog. Call today to order your catalog or download it from our website: [www.plumbest.com](http://www.plumbest.com)

PART NO.	DESCRIPTION	A	B	C	D
□ P35-00BN	Lav drain without overflow holes	9 1/8"	2 1/4"	7/8"	1 1/4"

jones stephens corporation  
 3249 moody parkway • moody, alabama 35004  
 toll free phone: 1-800-355-6637 • toll free fax: 1-800-462-6991  
[www.plumbest.com](http://www.plumbest.com)