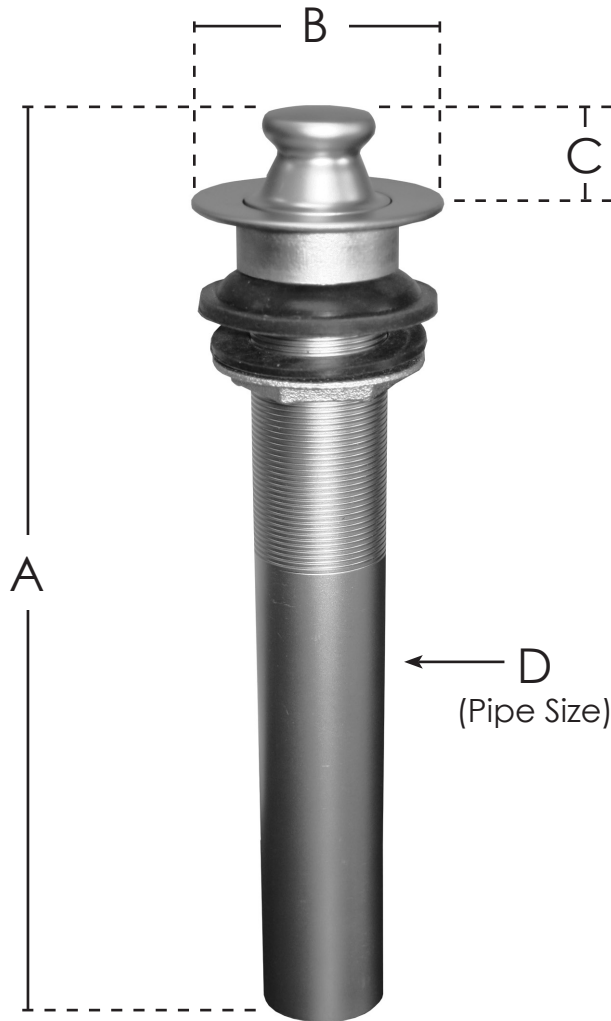


SPECIFICATION SUBMITTAL SHEET

JONES STEPHENS CORPORATION

LAV DRAIN WITHOUT OVERFLOW HOLES



PART NO. P35-003

features and benefits:

- Chrome Plated
- For vessel sinks

This product and others like it can be found in the Jones Stephens catalog. Call today to order your catalog or download it from our website:
www.plumbest.com

PART NO.	DESCRIPTION	A	B	C	D
□ P35-003	Lav drain without overflow holes	9 1/8"	2 1/4"	7/8"	1 1/4"

Jones Stephens Corporation
3249 Moody Parkway • Moody, Alabama 35004
Toll Free Phone: 1-800-355-6637 • Toll Free Fax: 1-800-462-6991
www.plumbest.com