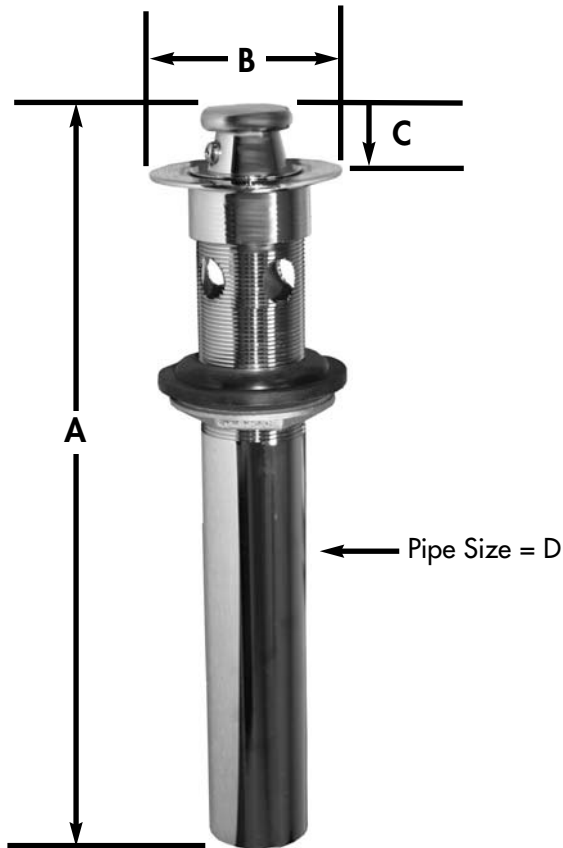


SPECIFICATION SUBMITTAL SHEET

j o n e s s t e p h e n s c o r p o r a t i o n

LIFT AND LOCK POP-UP



PART NO.: P35-000

features and benefits:

- Chrome plated

This product and others like it can be found in the Jones Stephens catalog. Call today to order your catalog or download it from our website: www.plumbest.com

PART NO.	DESCRIPTION	A	B	C	D
□ P35-000	CP Lift and Lock Pop-Up	9 1/8"	2 1/4"	7/8"	1 1/4"

jones stephens corporation
3249 moody parkway • moody, alabama 35004
toll free phone: 1-800-355-6637 • toll free fax: 1-800-462-6991
www.plumbest.com