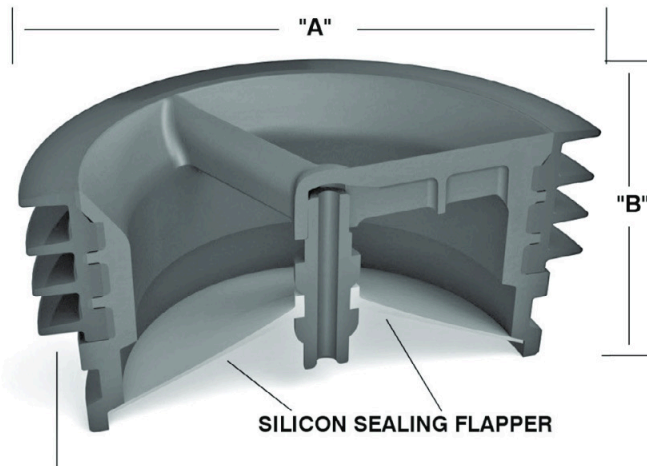




- P24001- 2" GREEN DRAIN WATERLESS TRAP SEAL**
- P24002- 3" GREEN DRAIN WATERLESS TRAP SEAL**
- P24003- 3-1/2" GREEN DRAIN WATERLESS TRAP SEAL**
- P24004- 4" GREEN DRAIN WATERLESS TRAP SEAL**

- One way valve creates seal to eliminate floor drain odor issues
- No more gases from floor drains
- Prevents and blocks bugs from crawling up through floor drains
- Solution to drain flies entering the facility
- Sanitary, eco-friendly and chemical free solution
- Simple installation & improved drainage quality
- LIMITED LIFETIME WARRANTY



SILICON GASKET FLEXES .100" TO FIT DIAMETER



MODEL NUMBER	"A" (PIPE SIZE)	"B" (HEIGHT)
P24001	2" (51)	2" (51)
P24002	3" (76)	2" (51)
P24003	3 1/2" (89)	2" (51)
P24004	4" (102)	2" (51)

**Specification:** GreenDrain Series inline floor drain trap seal with UV resistant ABS plastic frame, silicon rubber sealing flapper and four flexible sealing ribs. Tested and certified to the ASSE 1072 Standard and listed with IAPMO and I.C.C. Specify connection size (2", 3", 3 1/2" or 4")