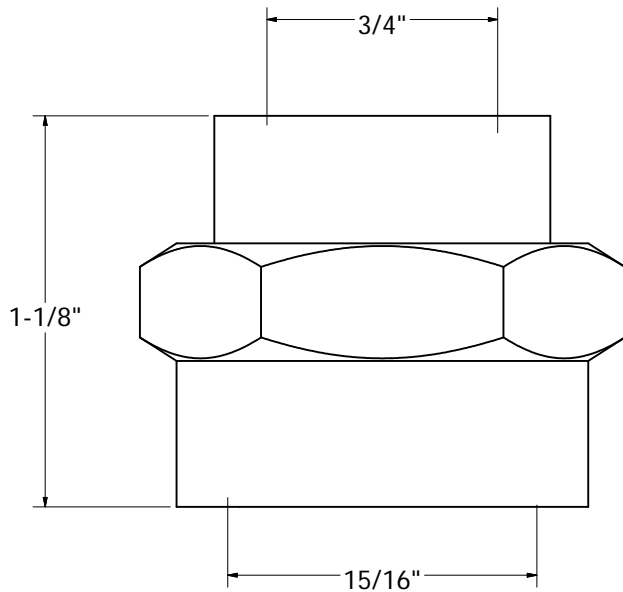
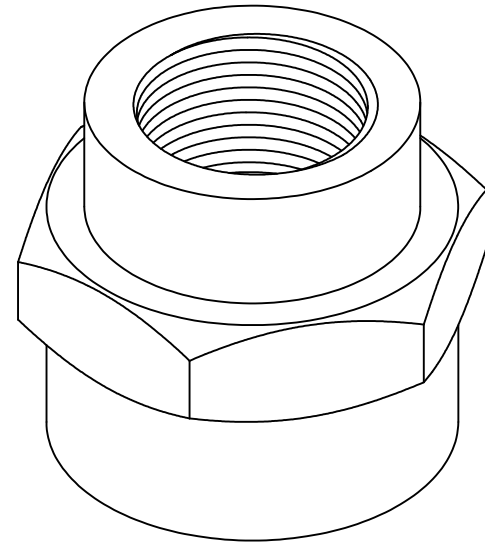
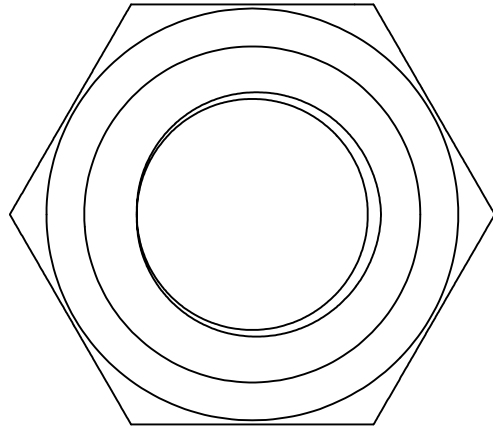


BELL REDUCER - YELLOW BRASS PIPE FITTING



PHONE NUMBER
1-800-355-6637
 FAX NUMBER
1-800-462-6991
 SCALE 3.5 : 1 DATE 1/20/15
 SHEET
1 OF 1
 DRAWN BY
ASHLEY KRALOVEC

PART NO.

P19128

IPT

3/4" X 1/2"

CTN/MSTR

1