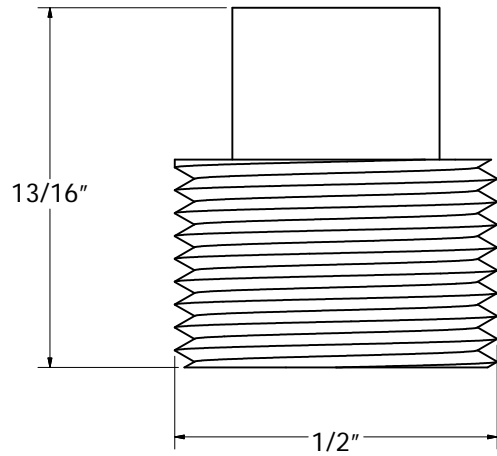
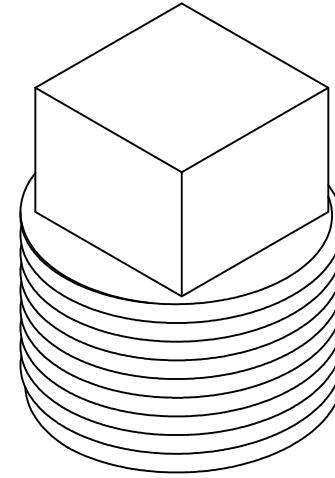
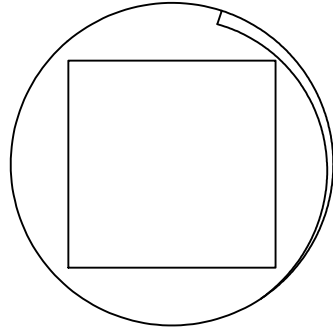


SQUARE HEAD PLUG - YELLOW BRASS PIPE FITTING



PHONE NUMBER
1-800-355-6637
FAX NUMBER
1-800-462-6991
SCALE DATE
1/21/15
SHEET
1 OF 1
DRAWN BY
ASHLEY KRALOVEC

PART NO.

P10094

IPT

1/4"

CTN/MSTR

84/1008