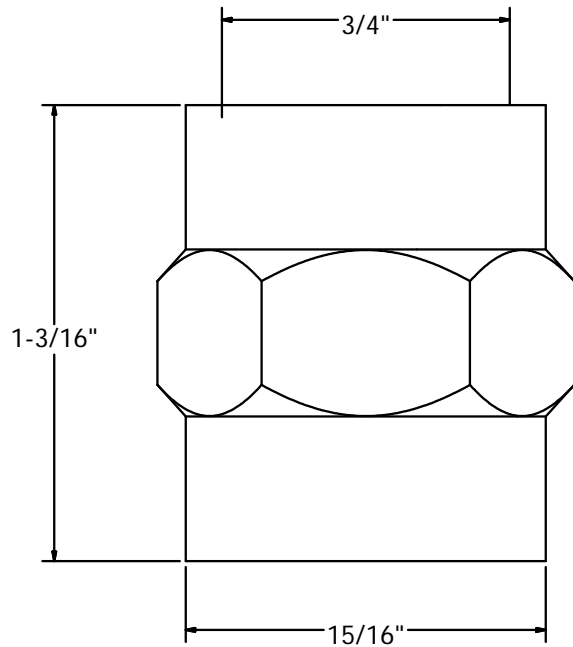
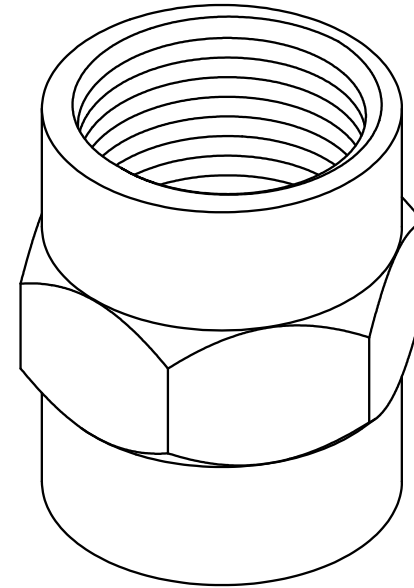
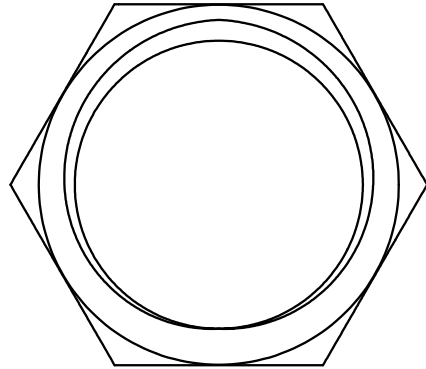


COUPLING - YELLOW BRASS PIPE FITTINGS



PHONE NUMBER
1-800-355-6637
 FAX NUMBER
1-800-462-6991
 SCALE 4 : 1 DATE 1/21/15
 SHEET **1 OF 1**
 DRAWN BY
ASHLEY KRALOVEC

PART NO.

P10038

IPT

1/2"

CTN/MSTR

1