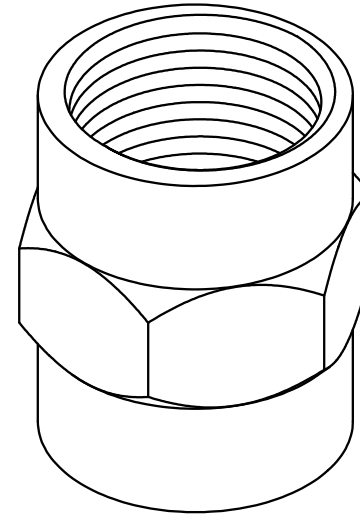
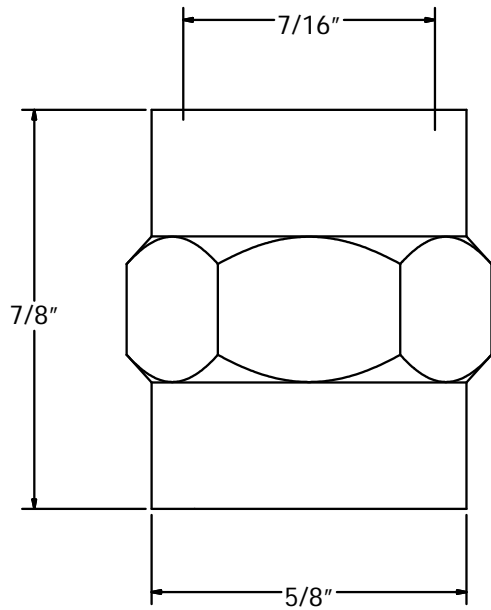
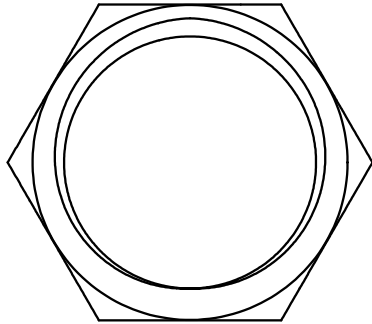


# COUPLING - YELLOW BRASS PIPE FITTING



PHONE NUMBER  
1-800-355-6637  
FAX NUMBER  
1-800-462-6991  
SCALE DATE 1/21/15  
SHEET  
1 OF 1  
DRAWN BY  
ASHLEY KRALOVEC

PART NO.

P10034

IPT

1/4"

CTN/MSTR

1