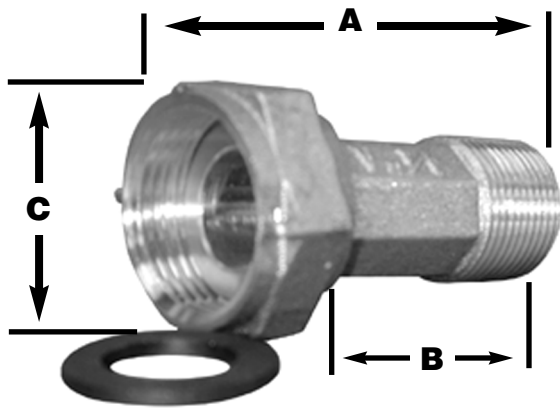


SPECIFICATION SUBMITTAL SHEET

j o n e s s t e p h e n s c o r p o r a t i o n

WATER METER COUPLING COMPLETE



features and benefits:

- Heavy cast brass
- Complete with gasket

This product and others like it can be found in the Jones Stephens catalog. Call today to order your catalog or download it from our website: www.plumbest.com

PART NO.	SIZE	NPSM	LENGTH	NPT	A	B	C
<input type="checkbox"/> M20-058	1/2"	3/4"	2 3/8"	1/2"	2 5/8"	2"	1 5/16"
<input type="checkbox"/> M20-075	3/4"	1"	2 1/2"	3/4"	2 7/8"	2 1/8"	1 5/8"
<input type="checkbox"/> M20-100	1"	1 1/4"	2 5/8"	1"	3 1/8"	2 1/4"	2 1/2"

jones stephens corporation
3249 moody parkway • moody, alabama 35004
toll free phone: 1-800-355-6637 • toll free fax: 1-800-462-6991
www.plumbest.com