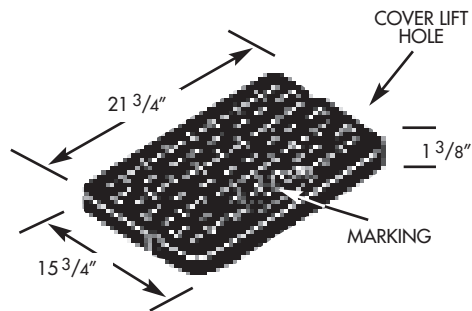
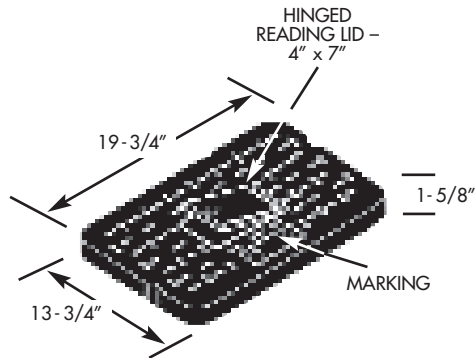


# SPECIFICATION SUBMITTAL SHEET

jones stephens corporation

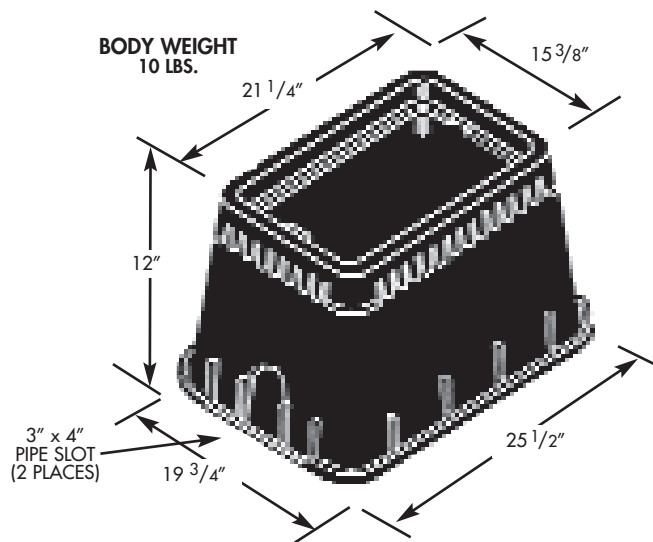
## 15" JUMBO WATER METER BOX



**BOLT DOWN LID**



**COVER WEIGHT  
6 LBS.**



PART NO.	DESCRIPTION
M15-001	15" box and green solid lid
M15-002	15" box and black reader lid
M15-003	6" extension
M15-004	15" solid green lid only
M15-005	15" black reader lid only

jones stephens corporation  
 3249 moody parkway • moody, alabama 35004  
 toll free phone: 1-800-355-6637 • toll free fax: 1-800-462-6991  
[www.plumbest.com](http://www.plumbest.com)