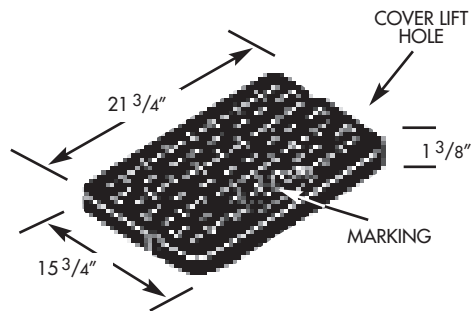
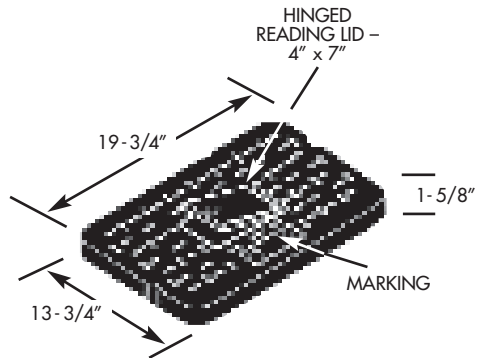


SPECIFICATION SUBMITTAL SHEET

jones stephens corporation

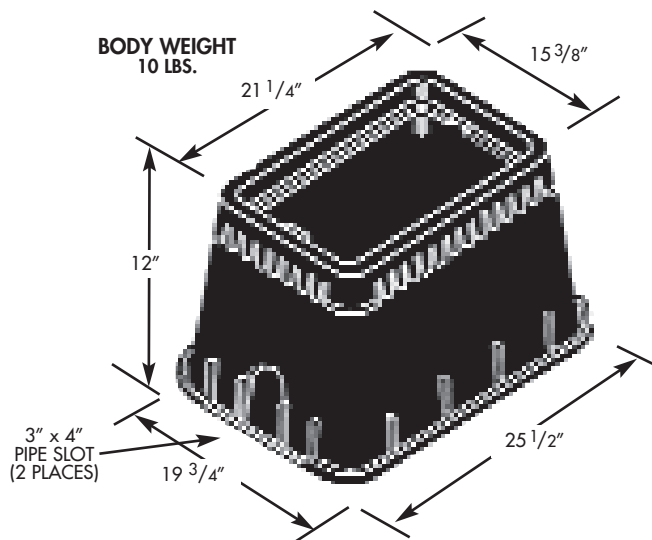
15" JUMBO WATER METER BOX



BOLT DOWN LID



**COVER WEIGHT
6 LBS.**



PART NO.	DESCRIPTION
M15-001	15" box and green solid lid
M15-002	15" box and black reader lid
M15-003	6" extension
M15-004	15" solid green lid only
M15-005	15" black reader lid only

jones stephens corporation
 3249 moody parkway • moody, alabama 35004
 toll free phone: 1-800-355-6637 • toll free fax: 1-800-462-6991
www.plumbest.com