

SPECIFICATION SUBMITTAL SHEET

j o n e s s t e p h e n s c o r p o r a t i o n

6" RESIDENTIAL VALVE BOXES

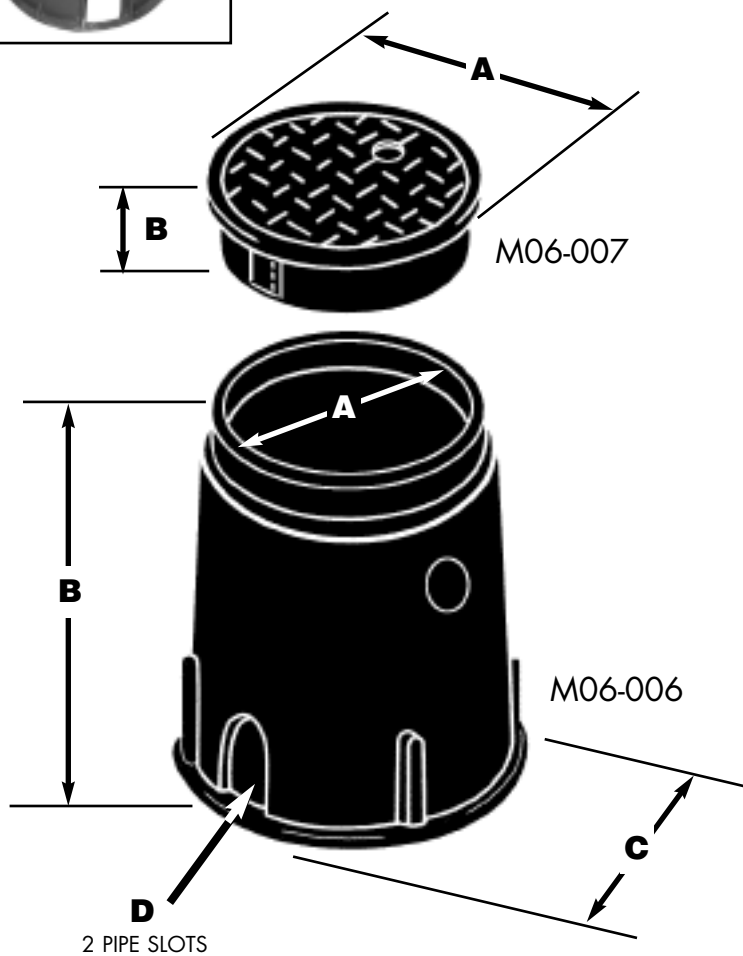


PART NO.(s):
M06-006, M06-007

features and benefits:

- Snap-in green lid
- Overlapping cover keeps dirt or grass from between body and lid
- Valve box can be extended with any 6" plastic or iron pipe
- 36 per carton

This product and others like it can be found in the Jones Stephens catalog. Call today to order your catalog or download it from our website: www.plumbest.com



PART NO.	DESCRIPTION	A	B	C	D
<input type="checkbox"/> M06-006	6" valve box 9" tall	6 1/8"	8 7/8"	8 1/2"	2 1/4" x 2 9/16"
<input type="checkbox"/> M06-007	6" green snap-in lid	6 15/16"	1 11/16"		

jones stephens corporation
3249 moody parkway • moody, alabama 35004
toll free phone: 1-800-355-6637 • toll free fax: 1-800-462-6991
www.plumbest.com