

# SPECIFICATION SUBMITTAL SHEET

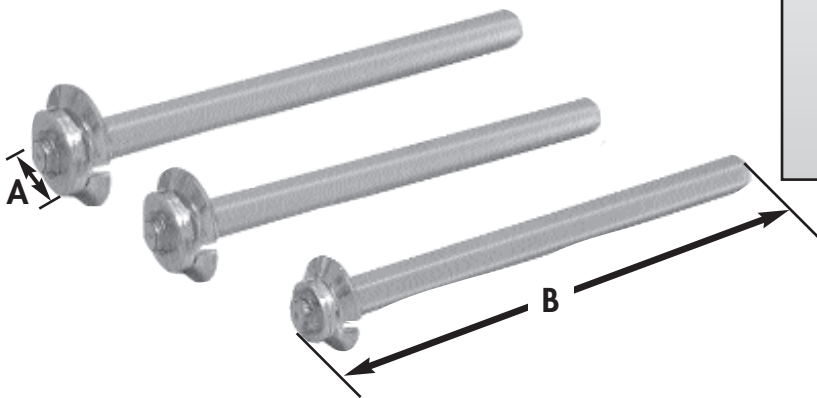
j o n e s   s t e p h e n s   c o r p o r a t i o n

## SOCKET SAVER

### features and benefits:

- Removes Schedule 40 plastic pipe
- Fits 1/2" variable speed power drill
- Cuts ABS or PVC DWV pipe below slab

This product and others like it can be found in the Jones Stephens catalog. Call today to order your catalog or download it from our website: [www.plumbest.com](http://www.plumbest.com)



PART NO.	DESCRIPTION	A	B
<input type="checkbox"/> J44-050	1/2" Socket Saver	5"	1/2"
<input type="checkbox"/> J44-075	3/4" Socket Saver	5"	3/4"
<input type="checkbox"/> J44-100	1" Socket Saver	5"	1"

jones stephens corporation  
3249 moody parkway • moody, alabama 35004  
toll free phone: 1-800-355-6637 • toll free fax: 1-800-462-6991  
[www.plumbest.com](http://www.plumbest.com)