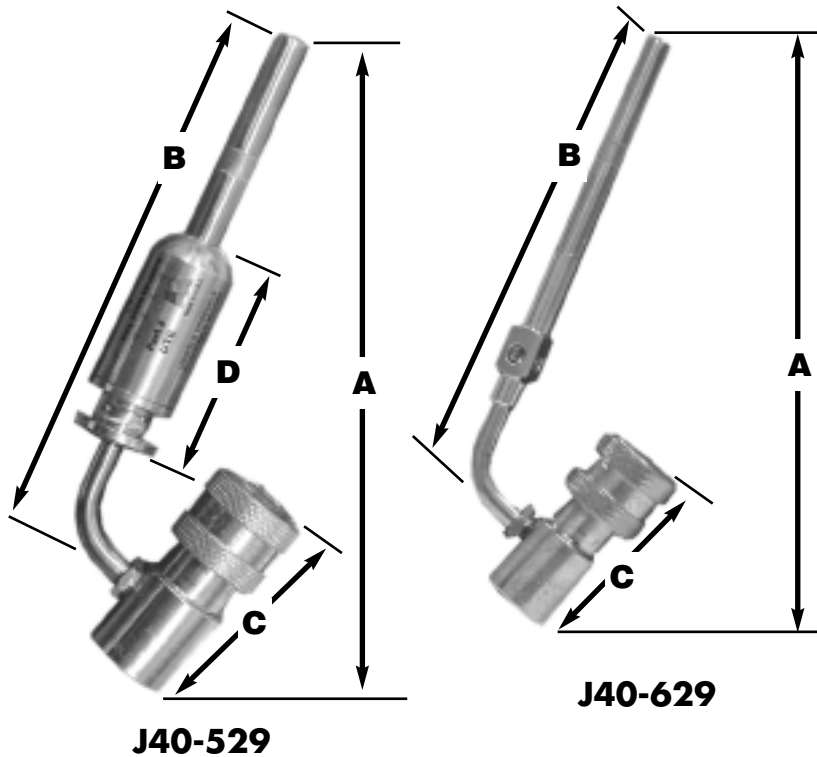


# SPECIFICATION SUBMITTAL SHEET

jones stephens corporation

## UNIWELD TORCHES



**PART NO.(s):  
J40-529, J40-629**

features and benefits:

This product and others like it can be found in the Jones Stephens catalog. Call today to order your catalog or download it from our website: [www.plumbest.com](http://www.plumbest.com)

PART NO.	DESCRIPTION	A	B	C	D
<input type="checkbox"/> J40-529	Hand Torch with swivel tip and self-igniter	9"	7 1/4"	3"	3 1/8"
<input type="checkbox"/> J40-629	Hand Torch with swivel tip	9"	7 1/2"	3"	

jones stephens corporation  
 3249 moody parkway • moody, alabama 35004  
 toll free phone: 1-800-355-6637 • toll free fax: 1-800-462-6991  
[www.plumbest.com](http://www.plumbest.com)