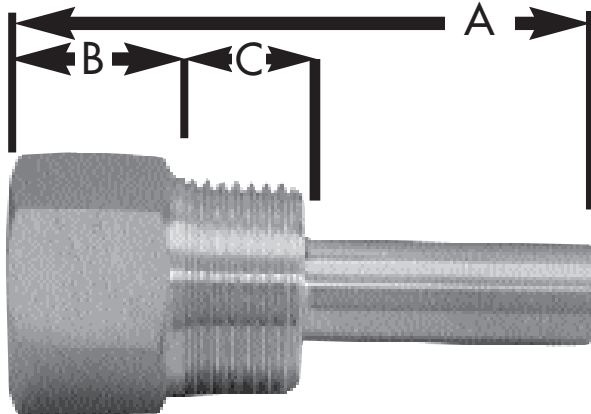


SPECIFICATION SUBMITTAL SHEET

jones stephens corporation

BRASS WELLS



PART NO. J40-563

features and benefits:

- For J40-562

This product and others like it can be found in the Jones Stephens catalog. Call today to order your catalog or download it from our website: www.plumbest.com

PART NO.	DESCRIPTION	A	B	C
□ J40-563	Brass Wells for J40-562	2 ¹³ / ₁₆ "	3/4"	11/16"

jones stephens corporation
3249 moody parkway • moody, alabama 35004
toll free phone: 1-800-355-6637 • toll free fax: 1-800-462-6991
www.plumbest.com