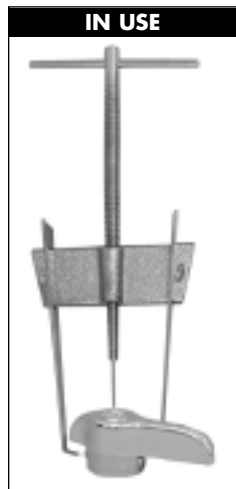
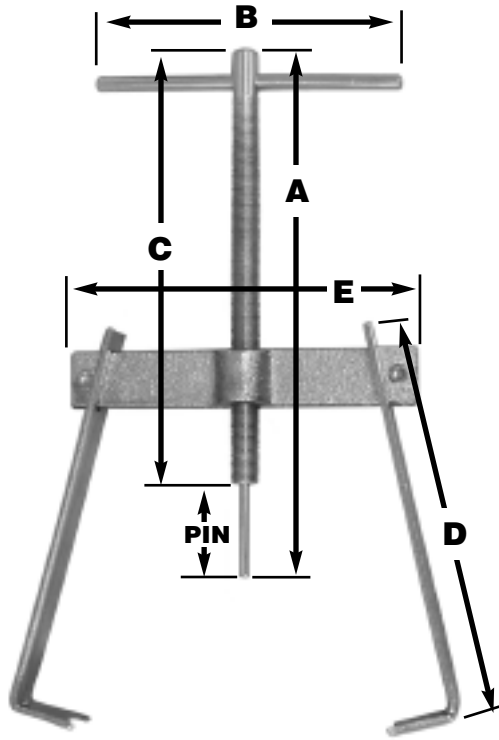


SPECIFICATION SUBMITTAL SHEET

jones stephens corporation

E-ZEE PULL DELUXE FAUCET HANDLE PULLER



PART NO. J40-012

features and benefits:

- 4" Bracket Width
- Pulls All Size Handles
- Forged Steel with Case – Hardened Pin

This product and others like it can be found in the Jones Stephens catalog. Call today to order your catalog or download it from our website: www.plumbest.com

PART NO.	DESCRIPTION	A	B	C	D	E	PIN
□ J40-012	E-ZEE Pull Deluxe Faucet Handle Puller	7"	3"	5 1/2"	5"	4 1/2"	1 5/8"

jones stephens corporation
 3249 moody parkway • moody, alabama 35004
 toll free phone: 1-800-355-6637 • toll free fax: 1-800-462-6991
www.plumbest.com