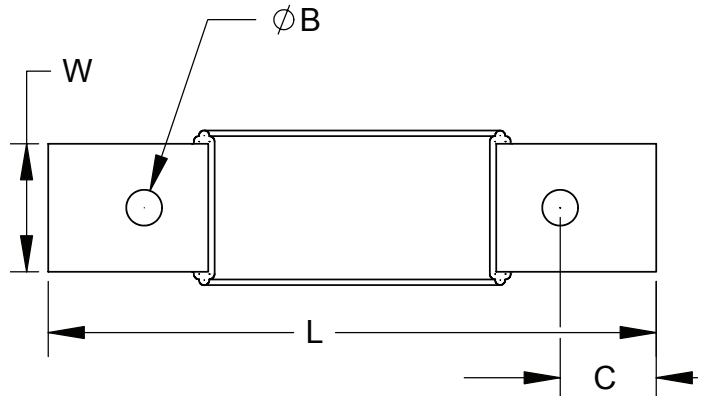
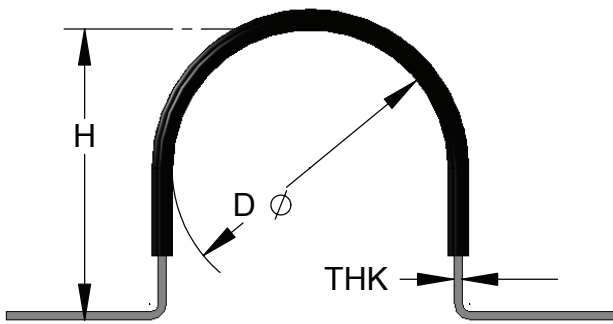




PART NO. H13501 - 1-1/2"
PART NO. H13502 - 2"
PART NO. H13503 - 3"
PART NO. H13504 - 4"

TWO-HOLE, VINYL COATED, PIPE STRAP

- CARTON QUANTITIES ONLY
- Priced each
- Carton of 50



SIZE	D	H	Thk	W	L	B	C
+Tol	.06	.03	<i>U S</i>	.12	.25	.032	.06
-Tol	.02	.06	<i>Gage</i>	.03	.12	.015	.03
3/8	.69	.68	<i>20 Ga</i>	.75	2.38	.200	0.38
1/2	.84	.84	<i>20 Ga</i>	.75	2.62	.200	0.38
3/4	1.05	1.05	<i>19 Ga</i>	.75	2.75	.200	0.38
1	1.31	1.31	<i>18 Ga</i>	.75	3.40	.281	0.38
1-1/4	1.66	1.66	<i>16 Ga</i>	1.0	4.25	.281	0.50
1-1/2	1.90	1.90	<i>16 Ga</i>	1.0	4.38	.281	0.50
2	2.38	2.38	<i>16 Ga</i>	1.0	4.75	.281	0.60
3	3.50	3.50	<i>14 Ga</i>	1.0	6.10	.281	0.60
4	4.50	4.50	<i>14 Ga</i>	1.0	7.40	.281	0.60

EXTRUSION COATING MATERIAL:
SYLVIN 8925-80
HARDNESS 80-90 A DUROMETER
TENSIL STRENGTH 2400
ELOGATION % 375