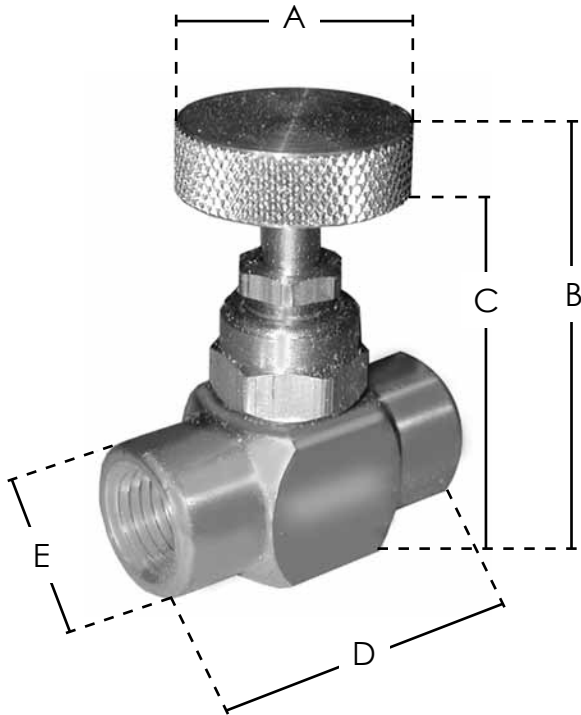


SPECIFICATION SUBMITTAL SHEET

JONES STEPHENS CORPORATION

NEEDLE VALVE FOR PRESSURE GAUGE



features and benefits:

- 1/4" NPT
- Brass body, seat, stem & handle
- 300°F maximum temperature
- Female x female
- Teflon packing
- 2000 PSI

This product and others like it can be found in the Jones Stephens catalog. Call today to order your catalog or download it from our website:
www.plumbest.com

PART NO.	DESCRIPTION	A	B	C	D	E
□ G64004	1/4" needle valve	1"	1 1/8"	7/8"	1 5/8"	1/2" ID 5/8" OD

Jones Stephens Corporation
3249 Moody Parkway • Moody, Alabama 35004
Toll Free Phone: 1-800-355-6637 • Toll Free Fax: 1-800-462-6991
www.plumbest.com