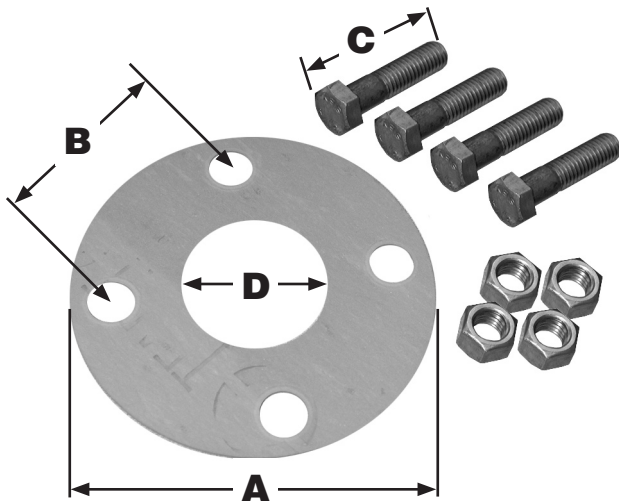


SPECIFICATION SUBMITTAL SHEET

JONES STEPHENS CORPORATION

RED RUBBER FULL FACE GASKET KIT

PART NO. G51-102



features and benefits:

- Meets ASTM D1330
- Gaskets are 1/16" thick
- ASTM A307 hex bolts and heavy hex nuts

This product and others like it can be found in the Jones Stephens catalog. Call today to order your catalog or download it from our website:
www.plumbest.com

PART NO.	SIZE	A	B	C	D
□ G51-102	2"	6-1/8"	3-3/4"	2-7/8"	2-3/8"

Jones Stephens Corporation
3249 Moody Parkway • Moody, Alabama 35004
Toll Free Phone: 1-800-355-6637 • Toll Free Fax: 1-800-462-6991
www.plumbest.com