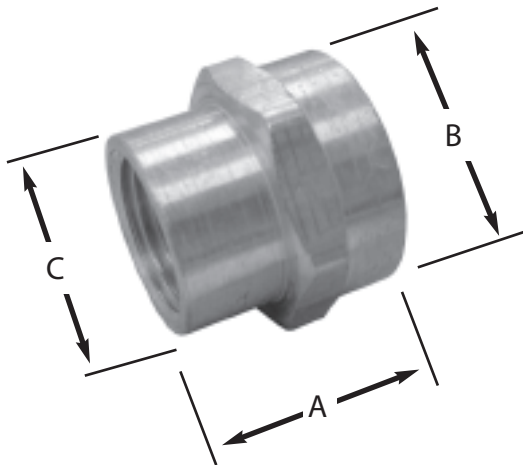


SPECIFICATION SUBMITTAL SHEET

j o n e s s t e p h e n s c o r p o r a t i o n

BRASS GARDEN HOSE FITTINGS FEMALE HOSE TO FEMALE PIPE

PART NO.(s):
G20-120, G20-121



features and benefits:

- Lead Free

This product and others like it can be found in the Jones Stephens catalog. Call today to order your catalog or download it from our website: www.plumbest.com

PART NO.	FHT x FPT	A	B	C	D
<input type="checkbox"/> G20-120	3/4" x 1/2"	1-1/16"	1-3/16"	1"	
<input type="checkbox"/> G20-121	3/4" x 3/4"	1-1/8"	1-3/16"	1"	

jones stephens corporation
3249 moody parkway • moody, alabama 35004
toll free phone: 1-800-355-6637 • toll free fax: 1-800-462-6991
www.plumbest.com