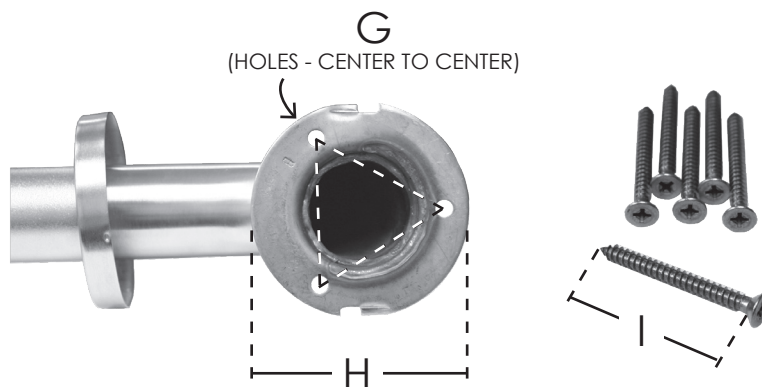
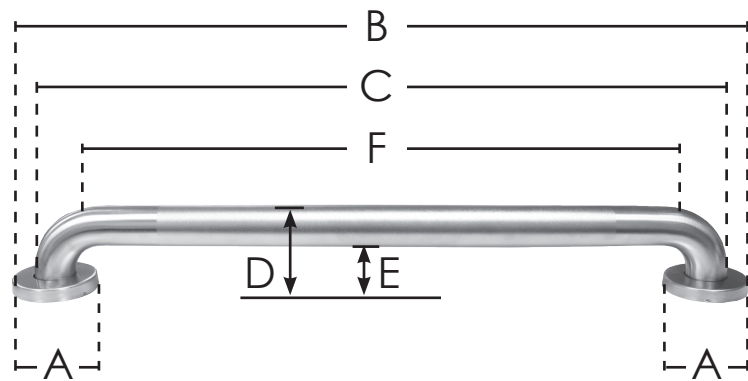


SPECIFICATION SUBMITTAL SHEET

JONES STEPHENS CORPORATION

GRAB BAR WITH CONCEALED SNAP-ON FLANGE



features and benefits:

- Stainless steel
- Meets 900 lb. downward pull when installed properly
- Meets federal specification WW-P-541/8B, Amendment 1, 16 April 1990
- Meets ANSI 117.1 and all ADA Code requirements
- Meets federal specifications for FHA, VA hospital, private construction
- Individually bagged with stainless steel mounting screws

This product and others like it can be found in the Jones Stephens catalog. Call today to order your catalog or download it from our website:
www.plumbest.com

PART NO.	FINISH	A	B	C	D	E	F	G	H	I
□ G13312	PEENED	3 1/16"	15"	13 1/4"	3"	1 5/8"	10 1/2"	2"	3"	2 1/2"
□ G13318	PEENED	3 1/16"	21"	19 1/2"	3 1/4"	1 3/4"	15"	2"	3"	2 1/2"
□ G13336	PEENED	3 1/16"	39"	37 3/8"	3 1/4"	1 3/4"	33"	2"	3"	2 1/2"
□ G13342	PEENED	3 1/16"	45 3/4"	43 5/8"	3 1/4"	1 3/4"	39"	2"	3"	2 1/2"
□ G13348	PEENED	3 1/16"	51"	49 1/4"	3 1/8"	1 3/4"	44 1/2"	2"	3"	2 1/2"

Jones Stephens Corporation
 3249 Moody Parkway • Moody, Alabama 35004
 Toll Free Phone: 1-800-355-6637 • Toll Free Fax: 1-800-462-6991
www.plumbest.com