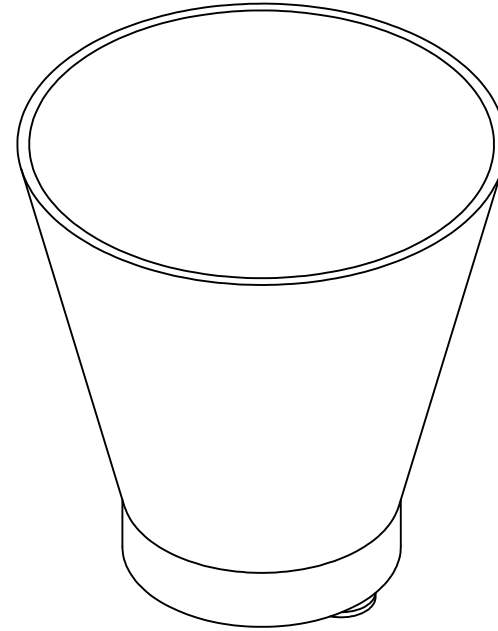
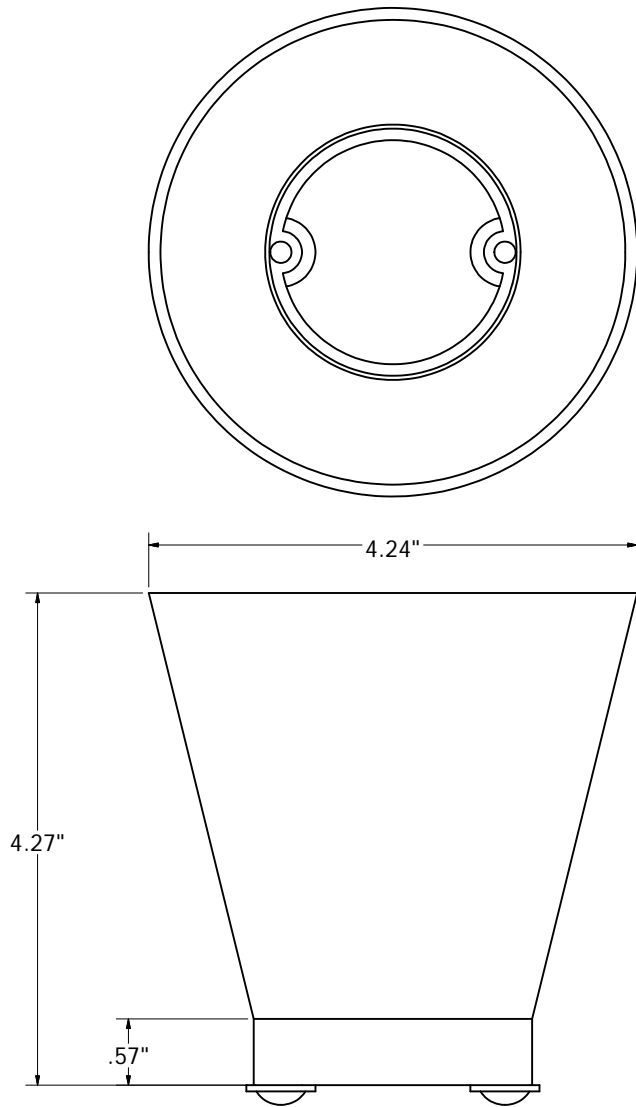


FUNNELS



- VANDAL- PROOF INSTALLATION
- FITS VIRTUALLY ANY FLOOR/SHOWER DRAIN
- FUNNEL TAPPED FOR 10-24 SCREWS WHICH ARE SUPPLIED WITH WASHERS



PHONE NUMBER 1-800-355-6637	
FAX NUMBER 1-800-462-6991	
SCALE 1.2 : 1	DATE 5-17-11
SHEET 1 OF 1	
DRAWN BY ASHLEY KRALOVEC	

PART NO.

F65400

DESCRIPTION

4" FUNNEL