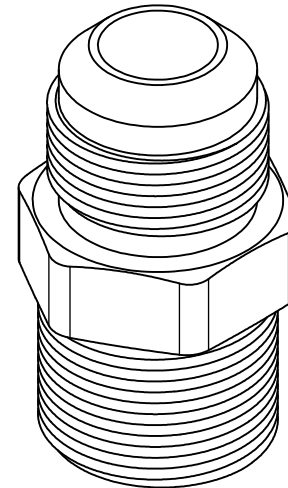
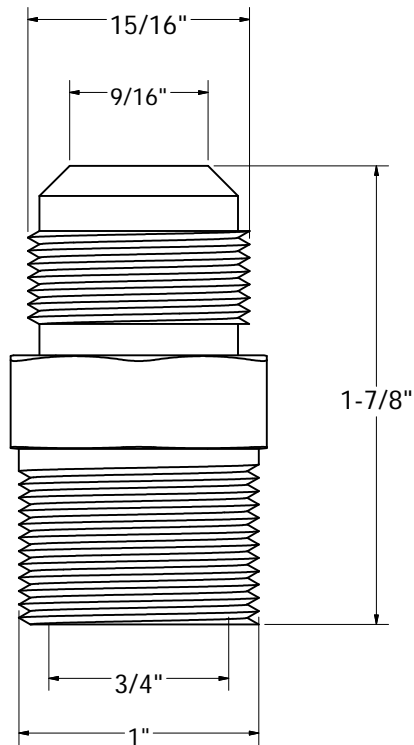
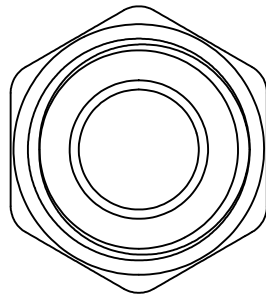


GAS RANGE FITTINGS - FLARE X MALE



CARTON QUANTITY : 5



PHONE NUMBER
1-800-355-6637
 FAX NUMBER
1-800-462-6991
 SCALE 2.5 : 1 DATE 12/31/14
 SHEET
1 OF 1
 DRAWN BY
ASHLEY KRALOVEC

PART NO.

F481012

OD X MIP

5/8" (15/16-16) X 3/4"

CTN/MSTR

1