

SPECIFICATION SUBMITTAL SHEET

jones stephens corporation

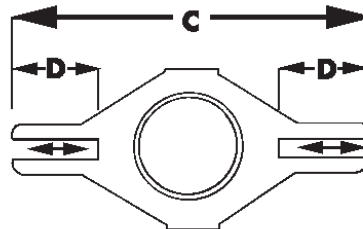
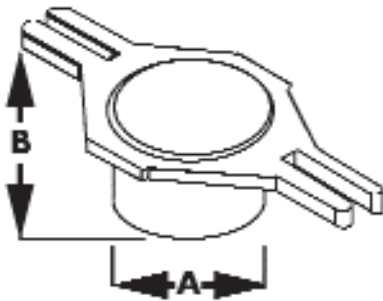
ADJUSTABLE URINAL FLANGE KIT



features and benefits:

- Socket fits over 2" Schedule 40 DWV pipe
- Spigot fits inside hub of fitting
- 3 1/2" - 7" flange mounting centers

This product and others like it can be found in the Jones Stephens catalog. Call today to order your catalog or download it from our website: www.plumbest.com



TOP VIEW OF FLANGE

| PVC | ABS | DESCRIPTION | A | B | C | D |
|----------------------------------|----------------------------------|-------------|----------|----------|----|----------|
| <input type="checkbox"/> F10-001 | <input type="checkbox"/> F10-002 | Spigot | 2 3/8" | 1 13/16" | 7" | 1 11/16" |
| <input type="checkbox"/> F11-001 | <input type="checkbox"/> F11-002 | Socket/Hub | 2 11/16" | 1 1/2" | 7" | 1 11/16" |

jones stephens corporation
 3249 moody parkway • moody, alabama 35004
 toll free phone: 1-800-355-6637 • toll free fax: 1-800-462-6991
www.plumbest.com