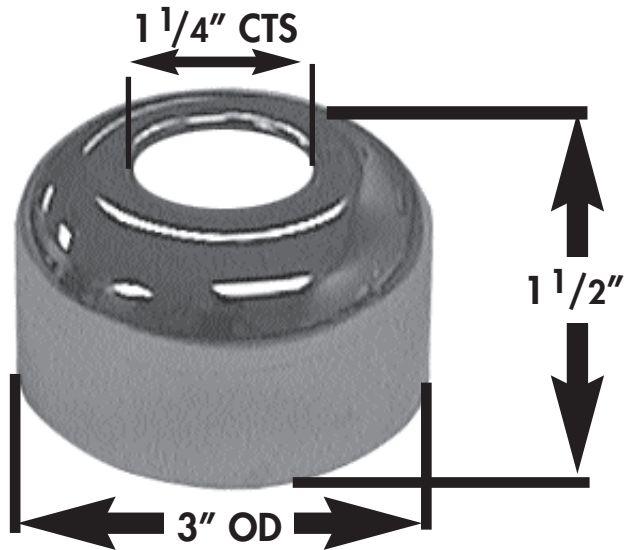


SPECIFICATION SUBMITTAL SHEET

jones stephens corporation

ESCUTCHEON



PART NO. E05-125

features and benefits:

- Chrome plated steel
- Box pattern
- Tubular

This product and others like it can be found in the Jones Stephens catalog. Call today to order your catalog or download it from our website: www.plumbest.com

PART NO.

□ E05-125

DESCRIPTION

CHROME PLATED ESCUTCHEON

jones stephens corporation

3249 moody parkway • moody, alabama 35004

toll free phone: 1-800-355-6637 • toll free fax: 1-800-462-6991

www.plumbest.com