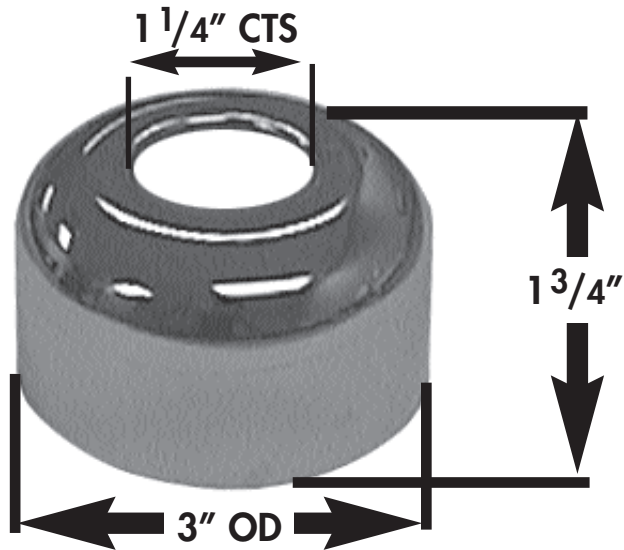


# SPECIFICATION SUBMITTAL SHEET

jones stephens corporation

## ESCUTCHEON



### PART NO. E04-125

#### features and benefits:

- Chrome plated steel
- Box pattern
- Tubular

This product and others like it can be found in the Jones Stephens catalog. Call today to order your catalog or download it from our website: [www.plumbest.com](http://www.plumbest.com)

#### PART NO.

□ E04-125

#### DESCRIPTION

CHROME PLATED ESCUTCHEON

jones stephens corporation  
3249 moody parkway • moody, alabama 35004  
toll free phone: 1-800-355-6637 • toll free fax: 1-800-462-6991  
[www.plumbest.com](http://www.plumbest.com)