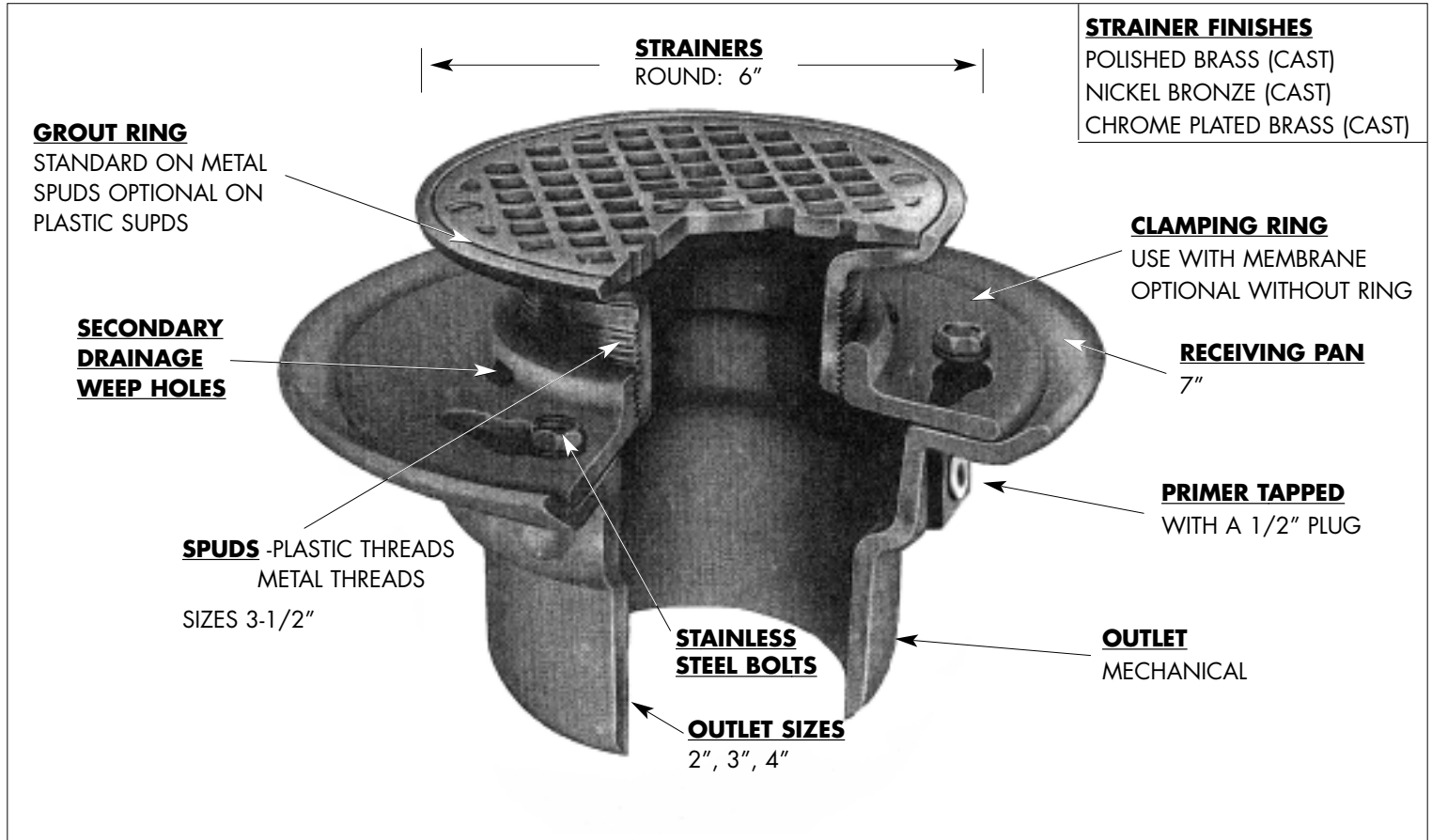


**SPECIFICATION:** D65-503 series cast iron floor drains



STRAINER DIAMETER	FREE AREA	SPUD SIZE	RECEIVING PAN	PIPE SIZE	OUTLET CONNECTION
6"	10.6 in <sup>2</sup>	3-1/2"	7"	2", 3", 4"	MECHANICAL

**PARTS:**



BODY



SPUD (STRAINER & THREADED TAILPIECE)

**PlumBest®**  
Jones Stephens Corp.

**1-800-355-6637**  
**1-800-462-6991 fax**

**Visit our Website:**  
**[www.PlumBest.com](http://www.PlumBest.com)**