

SPECIFICATION SUBMITTAL SHEET



JONES STEPHENS CORPORATION

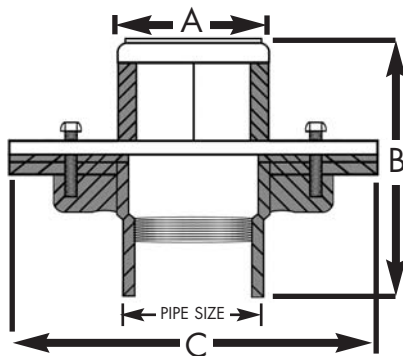
"CODE BLUE" EZ TEST SHOWER DRAINS



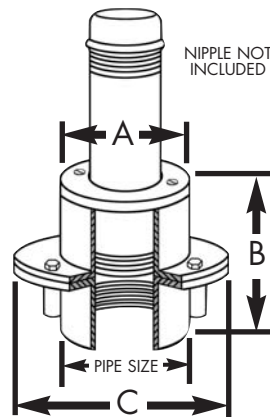
features and benefits:

- Includes cover plate and stainless steel screws

PART NO.	DRAIN	BASE	STRAINER	CTN. QTY.
D64-150	1 1/2" IPS	6"	SS	1
D64-202	2" IPS	6"	SS	1
 D64-012	2" IPS	7"	SS	1
 D64-302	2" No hub	6"	SS	1



NO HUB EZ TEST DRAIN



IPS EZ TEST DRAIN

DIMENSIONS			
PIPE SIZE	A	B	C
1 1/2"	3 1/2"	4 1/4"	6"
2"	3 1/2"	4 1/4"	7"

QUICK PICK NUMBERS			
D64-150	X26	D64-502	X21
D64-202	X27	D64-002	X23
D64-012	X25	D64-402	X20
D64-302	X28	D64-402G	X24
		D64-022	X22

Jones Stephens Corporation
 3249 Moody Parkway • Moody, Alabama 35004
 Toll Free Phone: 1-800-355-6637 • Toll Free Fax: 1-800-462-6991
www.plumbest.com