

SPECIFICATION SUBMITTAL SHEET

jones stephens corporation

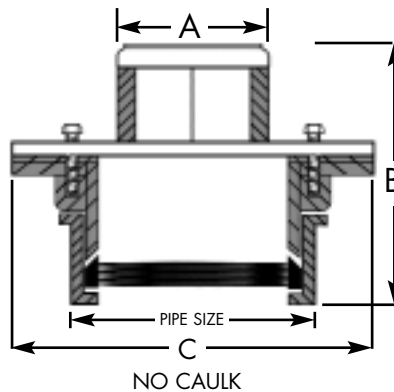
"CODE BLUE" SHOWER DRAIN



features and benefits:

- Includes cover plate and stainless steel screws
- No caulk includes built-in test plug

This product and others like it can be found in the Jones Stephens catalog. Call today to order your catalog or download it from our website: www.plumbest.com



PIPE SIZE	A	B	C
2"	3 1/2"	4 1/4"	7"

PART NO.	DESCRIPTION	BASE	STRAINER
□ D64-002	2" No Caulk	7"	Stainless Steel

jones stephens corporation
 3249 moody parkway • moody, alabama 35004
 toll free phone: 1-800-355-6637 • toll free fax: 1-800-462-6991
www.plumbest.com