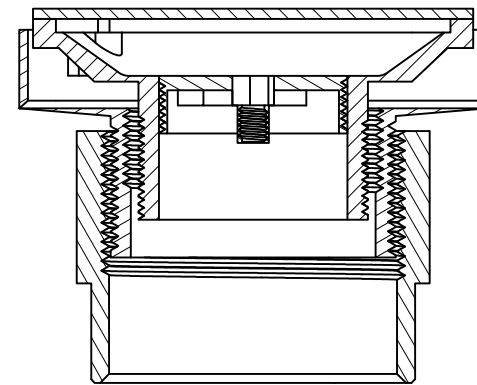
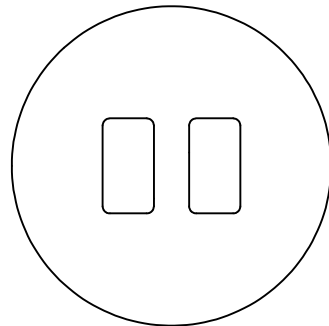
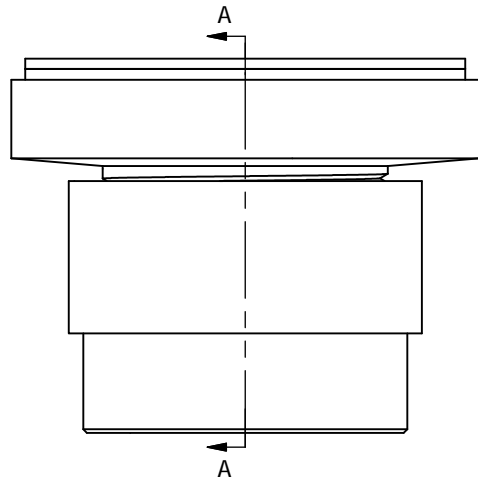
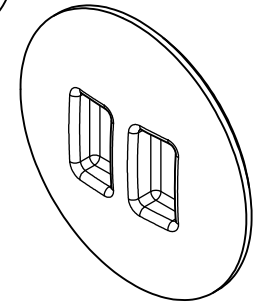
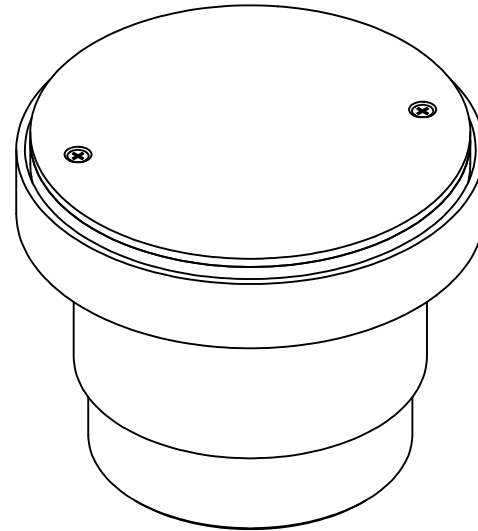
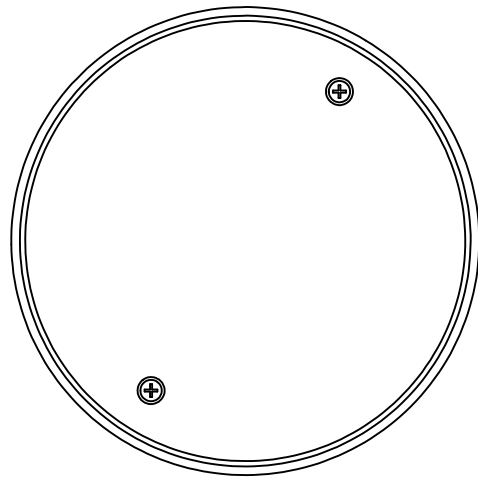


PVC PIPE FIT CLEANOUT SYSTEM LEVELBEST COMPLETE DRAINS AND CLEANOUTS



SECTION A-A
SCALE .75



PHONE NUMBER
1-800-355-6637
FAX NUMBER
1-800-462-6991
SCALE .75 : 1 DATE 8-16-11
SHEET
1 OF 1
DRAWN BY
ASHLEY KRALOVEC

PART NO.	D50481					
PIPE SIZE	3" X 4"					
SPUD	3" PLASTIC					
STRAINER	6" NB					