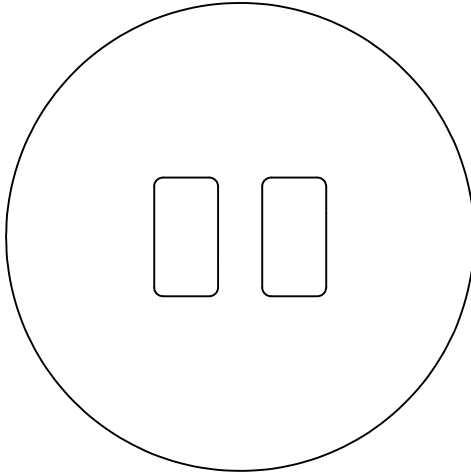
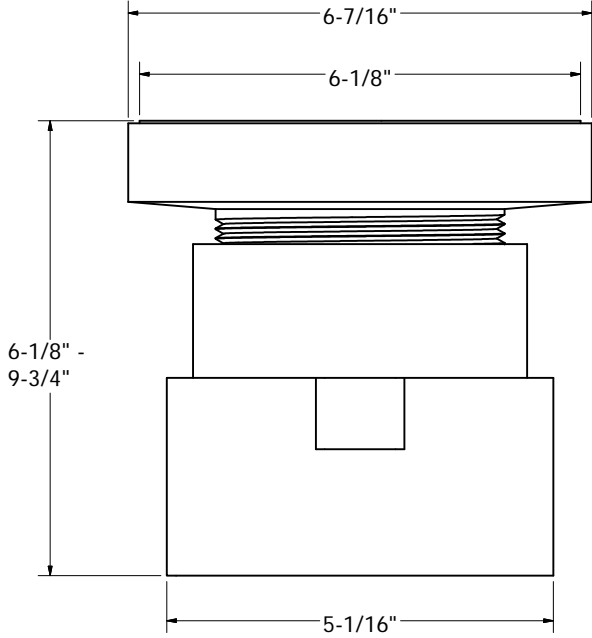
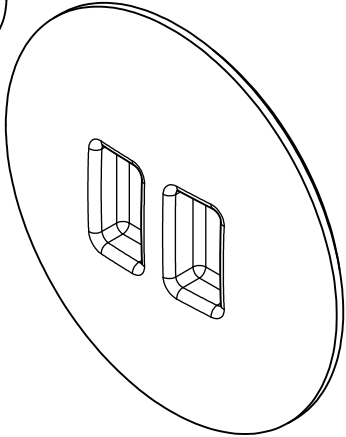
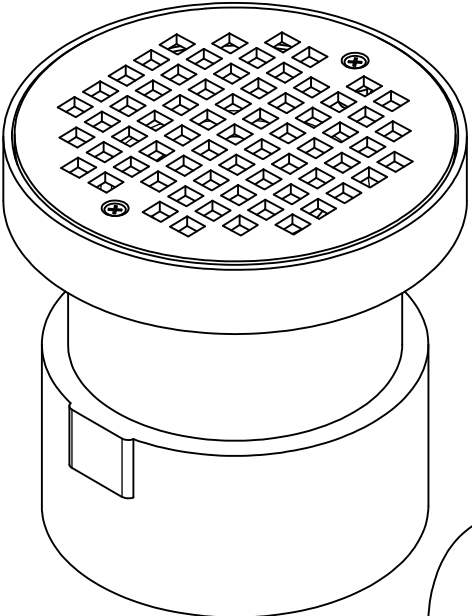
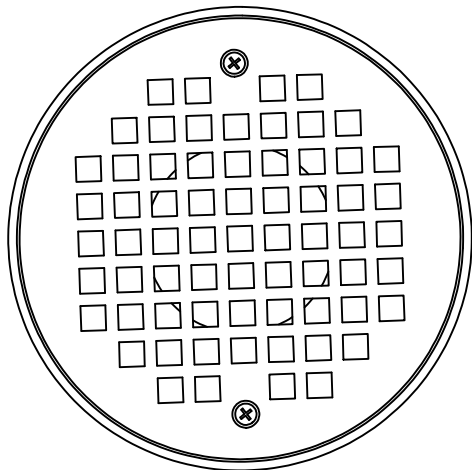


# COMPLETE PIPE FIT DRAIN SYSTEM



PHONE NUMBER  
**1-800-355-6637**

FAX NUMBER  
**1-800-462-6991**

SCALE .75 : 1      DATE 2-14-13

SHEET  
**1 OF 1**

DRAWN BY  
**ASHLEY KRALOVEC**

PART NO.	D50474			
PIPE SIZE	4"			
SPUD	3" PLASTIC			
STRAINER	6" NB ROUND			