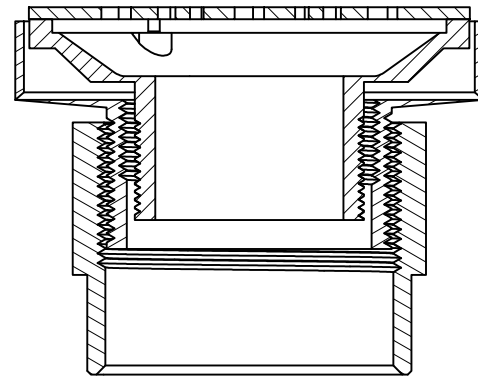
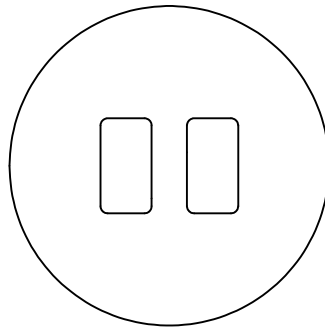
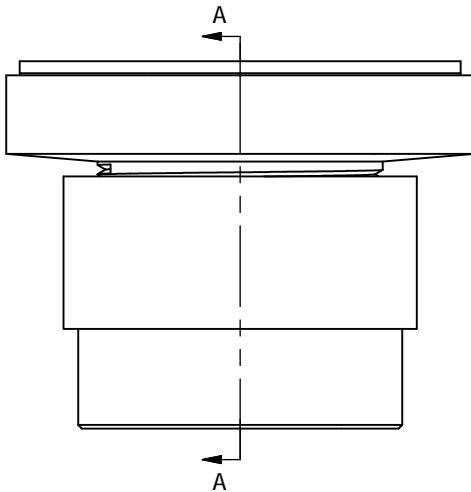
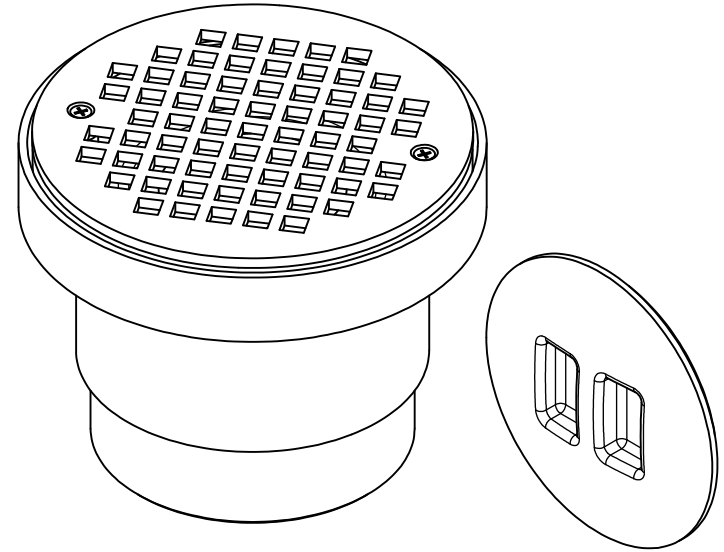
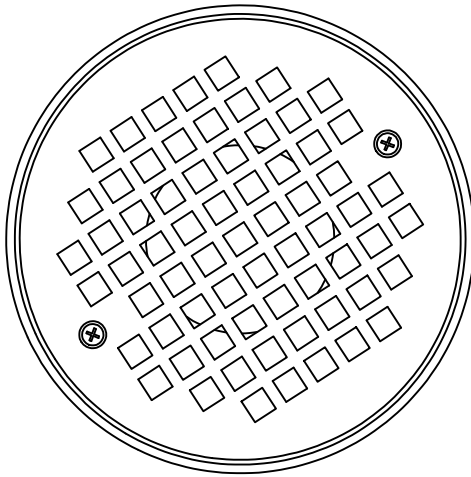


PVC PIPE FIT DRAIN SYSTEM LEVELBEST COMPLETE DRAINS AND CLEANOUTS



SECTION A-A  
SCALE .75



PHONE NUMBER  
**1-800-355-6637**  
FAX NUMBER  
**1-800-462-6991**  
SCALE .75 : 1      DATE 8-16-11  
SHEET  
**1 OF 1**  
DRAWN BY  
**ASHLEY KRALOVEC**

PART NO.	D50473				
PIPE SIZE	3" X 4"				
SPUD	3" PLASTIC				
STRAINER	6" NB				