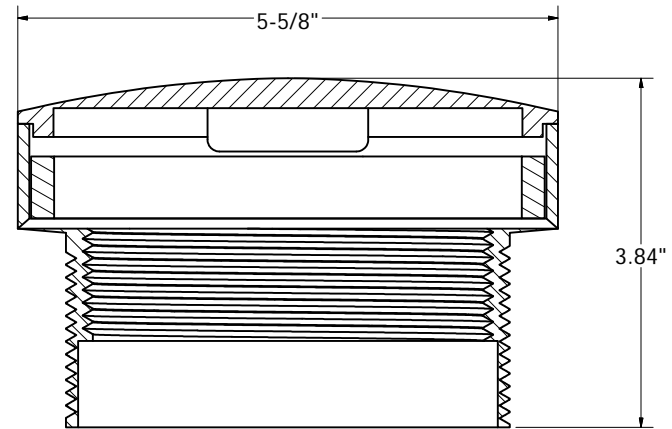
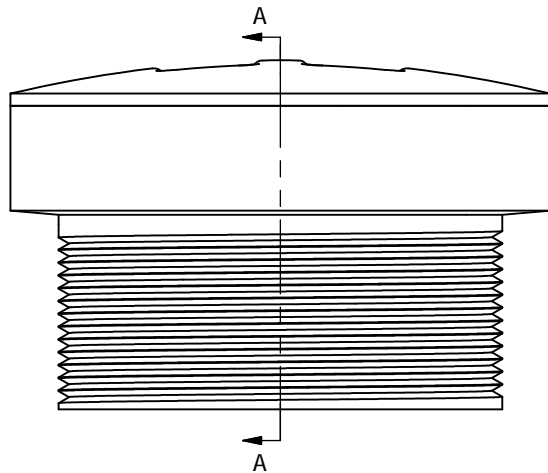
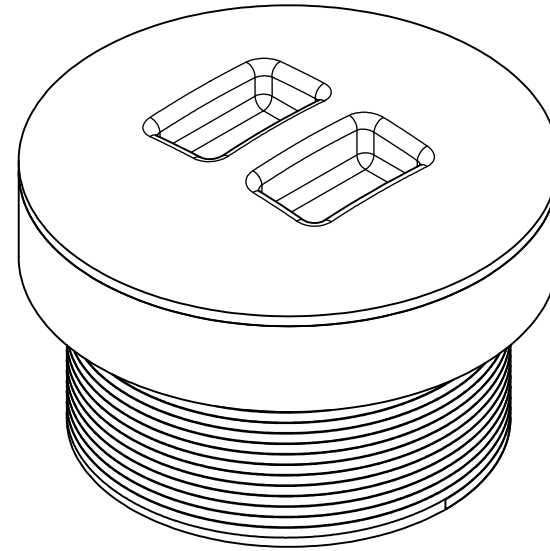
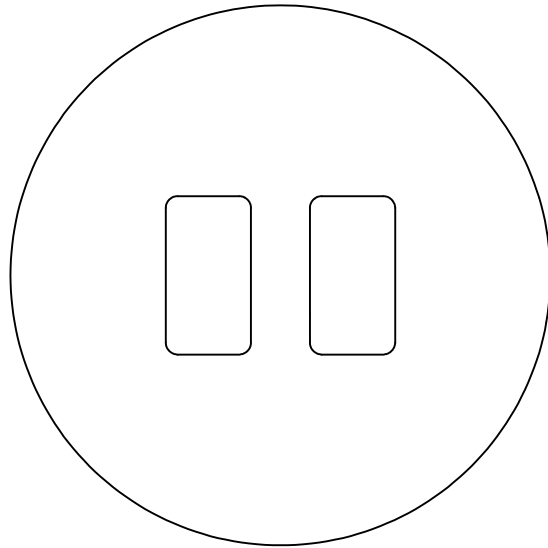


LEVELBEST ADAPTER SYSTEM



SECTION A-A
SCALE 1 : 1



PHONE NUMBER
1-800-355-6637
FAX NUMBER
1-800-462-6991
SCALE 1 : 1 DATE 3-22-12
SHEET 1 OF 1
DRAWN BY
ASHLEY KRALOVEC

	PART NO.	D50450					
	SIZE	4" X 3-1/2" X 5"					