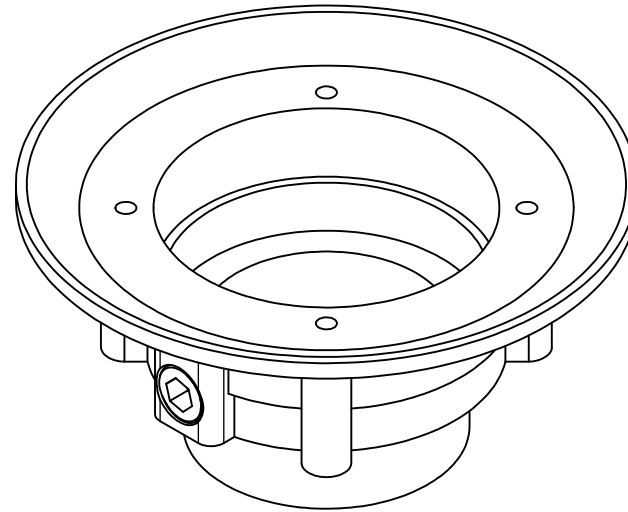
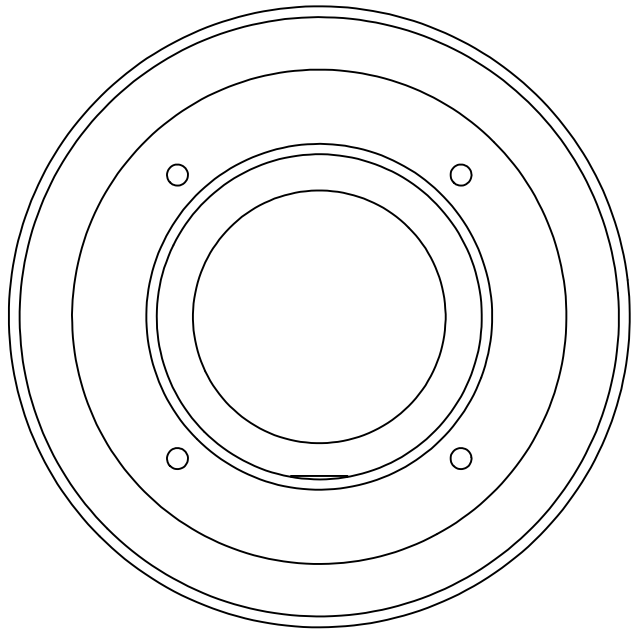
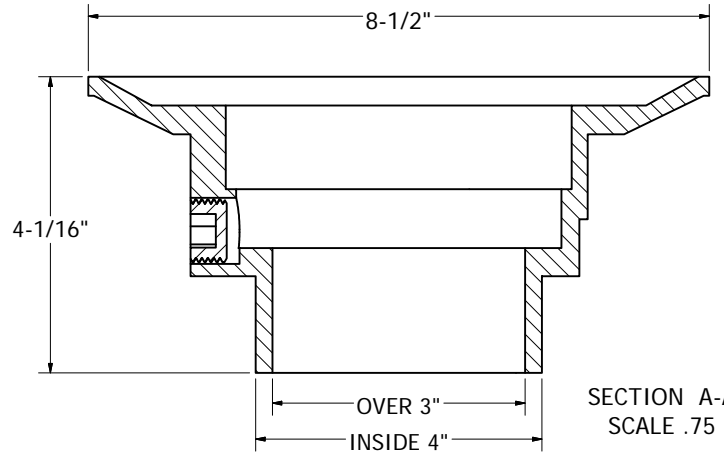
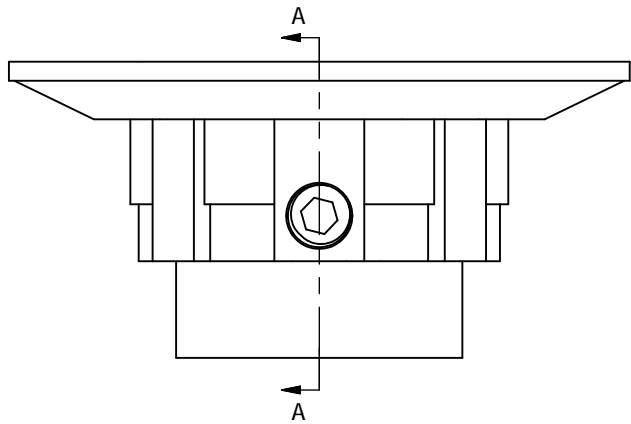


SLAB DRAIN BASES



- 8-1/2" PAN FOR APPLICATIONS WHERE NO CLAMP RING IS REQUIRED
- SPUD THREAD DIRECTLY INTO BASE
- PRIMER TAPPED WITH 1/2" PLUG
- GRAY PVC/ BLACK ABS
- COMPLETELY ADJUSTABLE



MADE IN THE
USA



PHONE NUMBER 1-800-355-6637	PART NO.	D49853	D49863	D49854	D49864	D49855	D49865
FAX NUMBER 1-800-462-6991	PIPE SIZE	3" X 4"	3" X 4"	3" X 4"	3" X 4"	3" X 4"	3" X 4"
SCALE .75 : 1	DATE 3-01-12	SCH 40 DWV PIPE	OVER 3" INSIDE 4"	OVER 3" INSIDE 4"	OVER 3" INSIDE 4"	OVER 3" INSIDE 4"	OVER 3" INSIDE 4"
SHEET 1 OF 1	SPUD SIZE	3"	3"	3-1/2"	3-1/2"	4"	4"
DRAWN BY ASHLEY KRALOVEC	MATERIAL	PVC	ABS	PVC	ABS	PVC	ABS