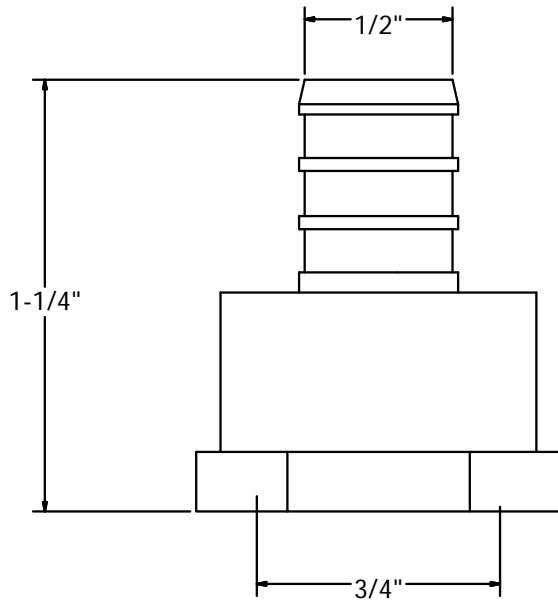
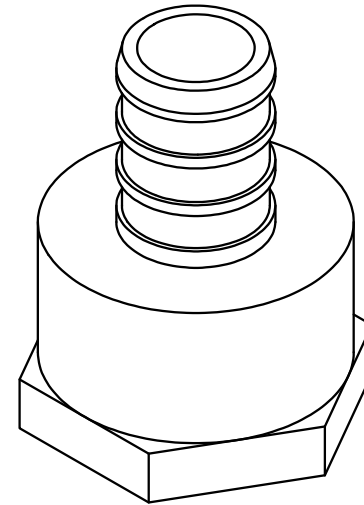
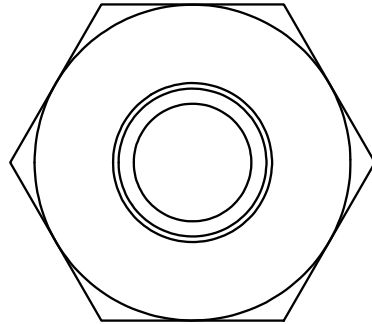


BRASS PEX X FIP FEMALE ADAPTER - LEAD FREE



PHONE NUMBER
1-800-355-6637
FAX NUMBER
1-800-462-6991
SCALE _____ DATE _____
SHEET
1 OF 1
DRAWN BY
ASHLEY KRALOVEC

PART NO.

PEX X FIP

CTN QTY

C76041LF

1/2" X 1/2"

50/250