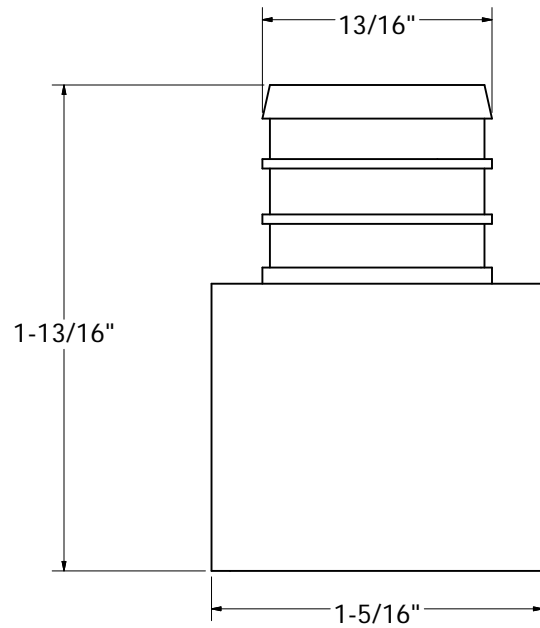
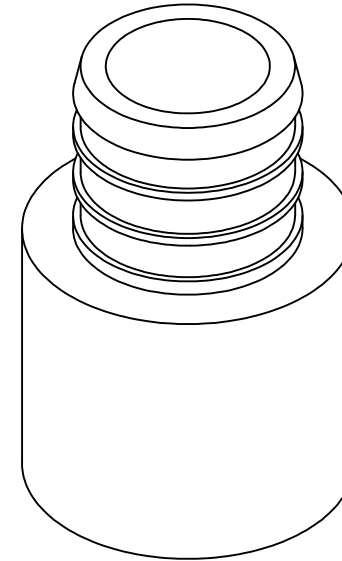
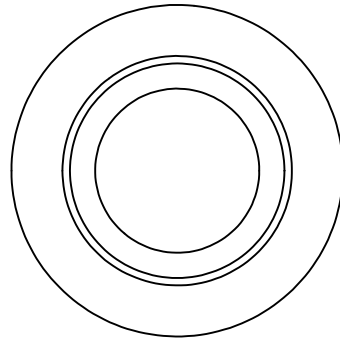


BRASS PEX X FEMALE SWEAT ADAPTER - LEAD FREE



PHONE NUMBER
1-800-355-6637
FAX NUMBER
1-800-462-6991
SCALE DATE
1/27/15
SHEET
1 OF 1
DRAWN BY
ASHLEY KRALOVEC

PART NO.

PEX X FSW

CTN QTY

C76030LF

1" X 1"

20/200