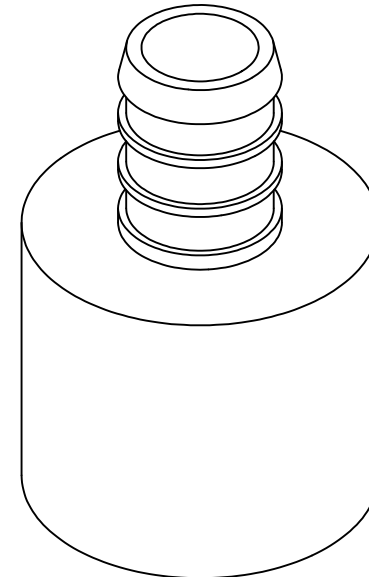
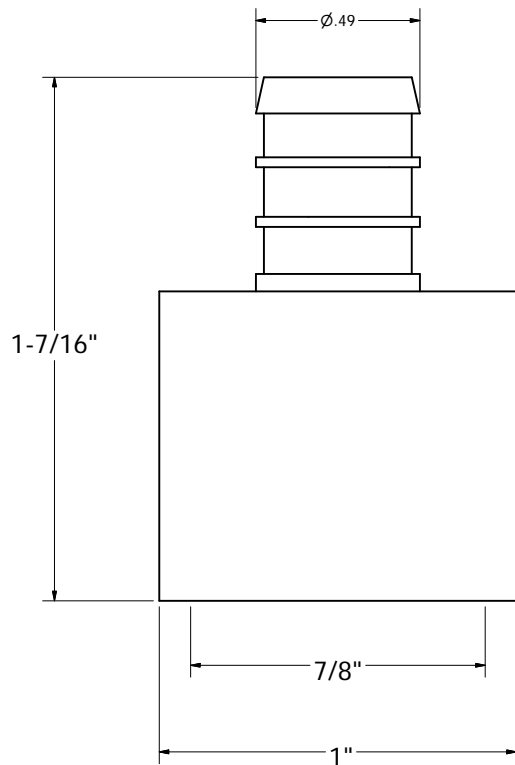
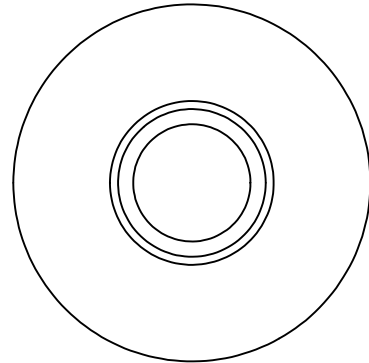


# BRASS PEX FEMALE SWEAT ADAPTER - LEAD FREE



PHONE NUMBER  
1-800-355-6637

FAX NUMBER  
1-800-462-6991

SCALE DATE  
1/27/15

SHEET  
1 OF 1

DRAWN BY  
ASHLEY KRALOVEC

PART NO.

PEX X FSW

CTN QTY

C76029LF

1/2" X 3/4"

25/250