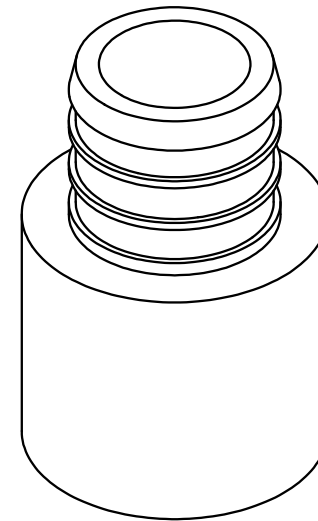
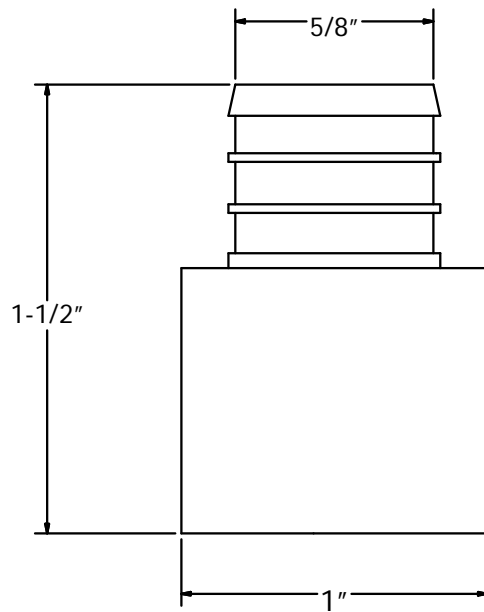
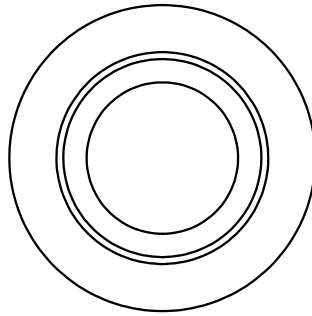


BRASS PEX X FEMALE SWEAT ADAPTER - LEAD FREE



PHONE NUMBER
1-800-355-6637
 FAX NUMBER
1-800-462-6991
 SCALE DATE
 1/21/15
 SHEET
1 OF 1
 DRAWN BY
 ASHLEY KRALOVEC

PART NO.

C76028LF

PEX X FSW

3/4" X 3/4"

CTN QTY

50/250