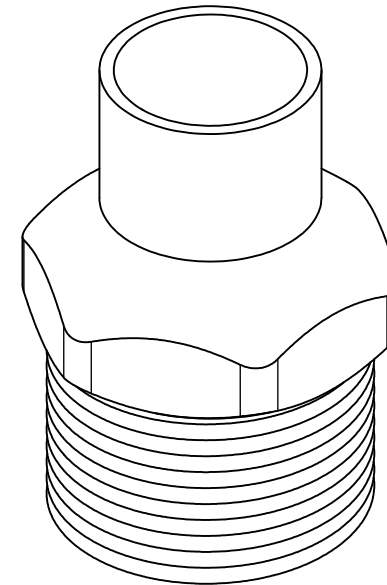
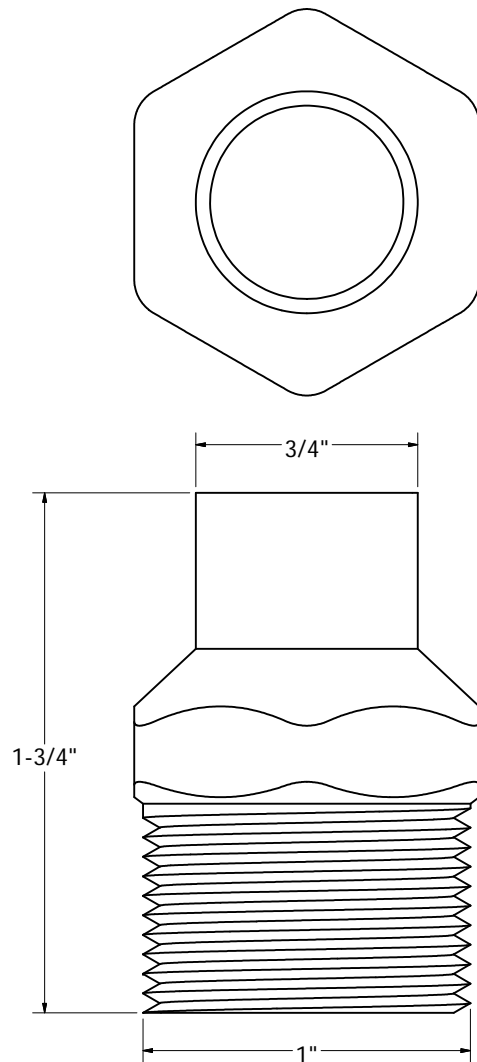


MALE ADAPTER WROT/ACR SOLDER JOINT FITTINGS



PHONE NUMBER 1-800-355-6637		JSC #	C75329	C75330	C75331	C75332
FAX NUMBER 1-800-462-6991		LTC #	K151010059	K151010058	K151010057	K151010056
SCALE 3.25 :1	DATE 5-25-12	SIZE	1/2" X 1/4"	1/2" X 3/8"	1/2" X 3/4"	1/2" X 1"
SHEET 1 OF 1		CTN QTY	25	25	25	10
DRAWN BY ASHLEY KRALOVEC		MSTR QTY	1000	800	250	150