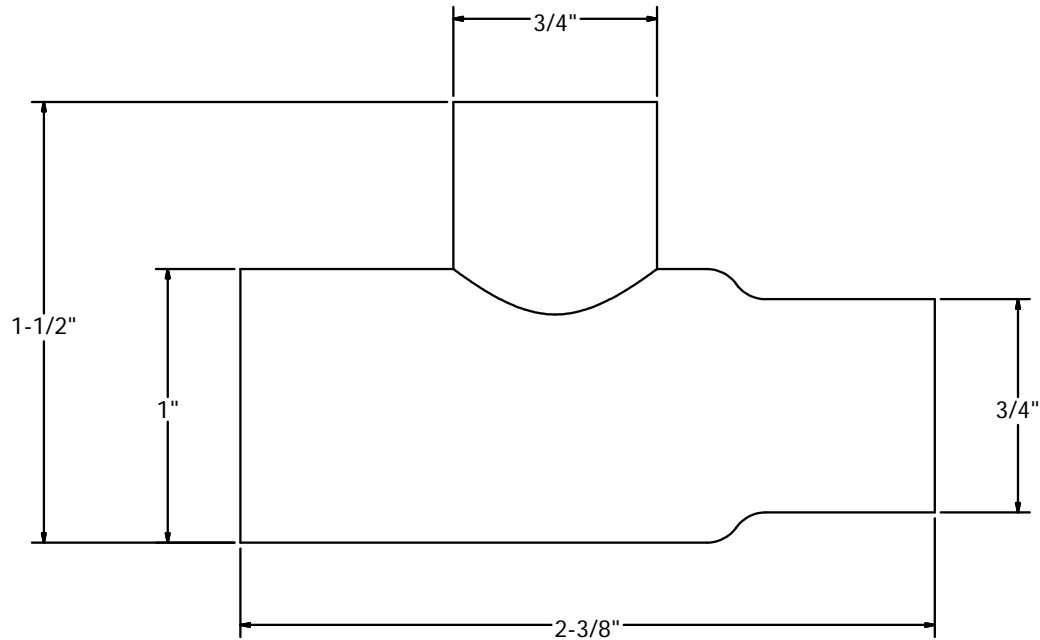
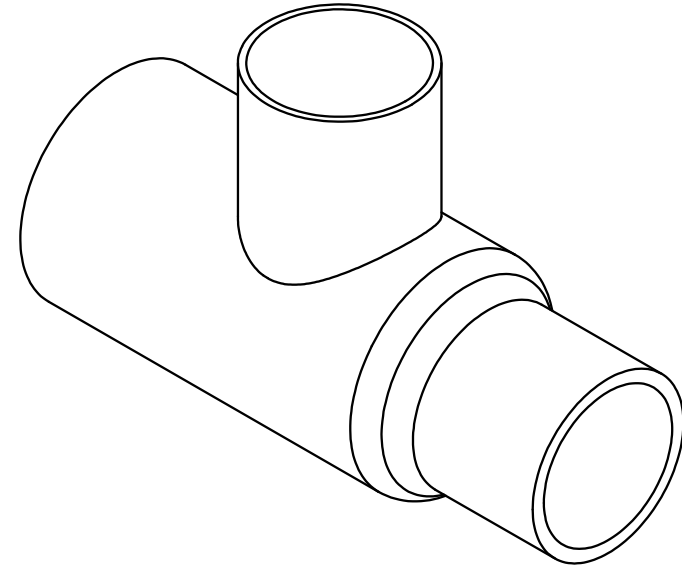
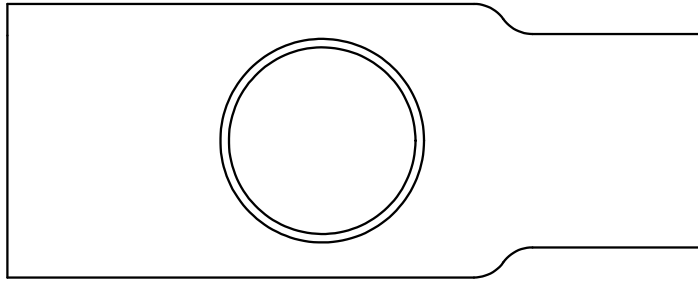


TEE PLUMBEST WROT/ACR SOLDER JOINT FITTINGS



PHONE NUMBER 1-800-355-6637	JSC #	C75182
FAX NUMBER 1-800-462-6991	LTC #	K154600118
SCALE 3 : 1	DATE 5-18-12	SIZE 3/4" X 1/2" X 1/2"
SHEET 1 OF 1	CTN QTY	10
DRAWN BY ASHLEY KRALOVEC	MSTR QTY	180