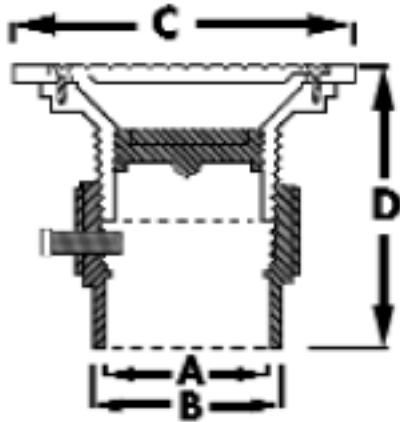


SPECIFICATION SUBMITTAL SHEET

j o n e s s t e p h e n s c o r p o r a t i o n

4" OVER PIPE FIT BASE WITH 3 1/2" IPS PLASTIC SPUDS



CLEANOUT DIMENSIONS

	A	B	C	D
Without ring	Over 4" pipe	6 1/8"	4 1/4"	5 15/16"-7 1/2"
With ring	Over 4" pipe	6 1/2"	4 1/4"	6 1/16"-7 5/8"
Square	Over 4" pipe	7"	4 1/4"	6 1/8"-7 11/16"

features and benefits:

- Supplied with 3" IPS (3 1/2" OD) countersunk plug
- Covers are 3/16" thick
- Adjustable (see dimension D)

This product and others like it can be found in the Jones Stephens catalog. Call today to order your catalog or download it from our website: www.plumbest.com



PVC	ABS	COVER
<input type="checkbox"/> C59-208	<input type="checkbox"/> C59-212	5" PB
<input type="checkbox"/> C59-209	<input type="checkbox"/> C59-213	5" PB with ring
<input type="checkbox"/> C59-210	<input type="checkbox"/> C59-214	5" NB
<input type="checkbox"/> C59-211	<input type="checkbox"/> C59-215	5" NB with ring

jones stephens corporation
 3249 moody parkway • moody, alabama 35004
 toll free phone: 1-800-355-6637 • toll free fax: 1-800-462-6991
www.plumbest.com