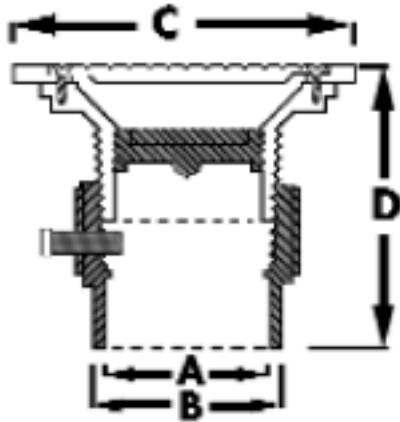


# SPECIFICATION SUBMITTAL SHEET

j o n e s   s t e p h e n s   c o r p o r a t i o n

## 4" OVER PIPE FIT BASE WITH 3 1/2" IPS PLASTIC SPUDS



CLEANOUT DIMENSIONS

	A	B	C	D
Without ring	Over 4" pipe	6 1/8"	4 1/4"	5 15/16"-7 1/2"
With ring	Over 4" pipe	6 1/2"	4 1/4"	6 1/16"-7 5/8"
Square	Over 4" pipe	7"	4 1/4"	6 1/8"-7 11/16"



### features and benefits:

- Supplied with 3" IPS (3 1/2" OD) countersunk plug
- Covers are 3/16" thick
- Adjustable (see dimension D)

This product and others like it can be found in the Jones Stephens catalog. Call today to order your catalog or download it from our website: [www.plumbest.com](http://www.plumbest.com)

#### PVC

C59-208

#### ABS

C59-212

#### COVER

5" PB

C59-209

C59-213

5" PB with ring

C59-210

C59-214

5" NB

C59-211

C59-215

5" NB with ring

jones stephens corporation  
 3249 moody parkway • moody, alabama 35004  
 toll free phone: 1-800-355-6637 • toll free fax: 1-800-462-6991  
[www.plumbest.com](http://www.plumbest.com)