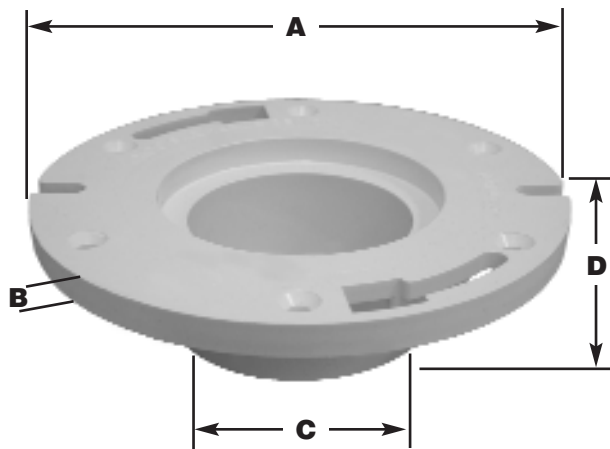


SPECIFICATION SUBMITTAL SHEET

j o n e s s t e p h e n s c o r p o r a t i o n

SPIGOT FIT CLOSET FLANGE / LESS KNOCKOUT

PART NO.(s):
C51-350, C51-351



features and benefits:

- Extra thick flange with short slots for extra strength
- Six screw holes

This product and others like it can be found in the Jones Stephens catalog. Call today to order your catalog or download it from our website: www.plumbest.com

PVC	ABS	SIZE	A	B	C	D
<i>LESS KNOCKOUT</i>						
<input type="checkbox"/> C51-350	<input type="checkbox"/> C51-351	3"	7"	5/16"	3-1/2"	2"

jones stephens corporation
3249 moody parkway • moody, alabama 35004
toll free phone: 1-800-355-6637 • toll free fax: 1-800-462-6991
www.plumbest.com