

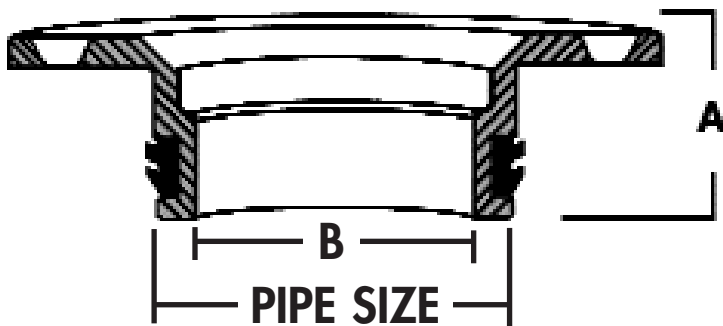
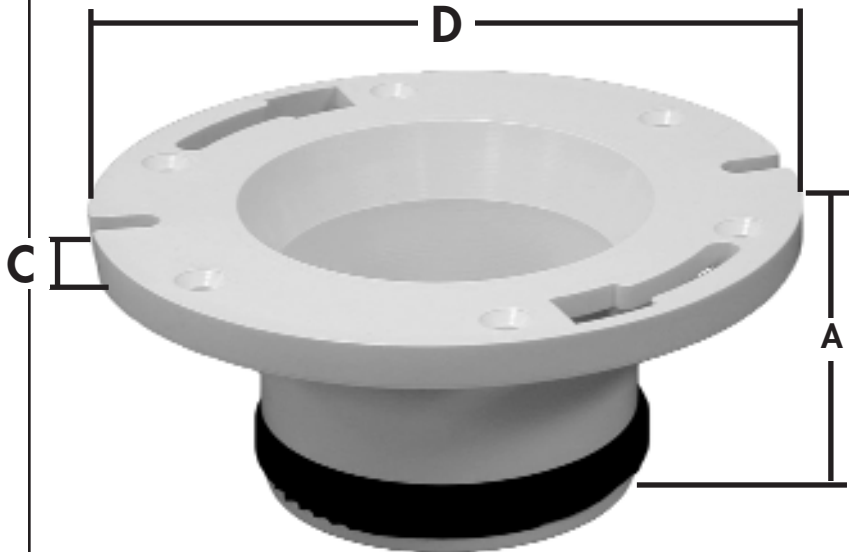
SPECIFICATION SUBMITTAL SHEET

jones stephens corporation

PLASTIC TWO FINGER FLANGE

PART NO.(S):

**C47-33P, C47-33A,
C47-43P, C47-43A**



features and benefits:

- 3" x 4", 4" x 2", 4" x 3" for areas with the bend close to the flange
- 3" x 4", 4" x 4" and 4" x 6" for areas without the bend close to the flange or broken pipe
- Patent#: 5,937,450
- Redesigned to fit oblong horns
- Pushes easily into cast iron or Schedule 40 DWV pipe
- No tear out or caulking required
- ASTM C-564 rubber gasket
- Flush fit

This product and others like it can be found in the Jones Stephens catalog. Call today to order your catalog or download it from our website: www.plumbest.com

| PVC | ABS | SIZE | PIPE SIZE | A | B | C | D |
|---------|---------|---------|-----------|----|--------|------|----|
| C47-33P | C47-33A | 3" x 3" | 3" | 3" | 2 1/8" | 1/2" | 7" |
| C47-43P | C47-43A | 4" x 3" | 4" | 3" | 2 7/8" | 1/2" | 7" |

jones stephens corporation
 3249 moody parkway • moody, alabama 35004
 toll free phone: 1-800-355-6637 • toll free fax: 1-800-462-6991
www.plumbest.com