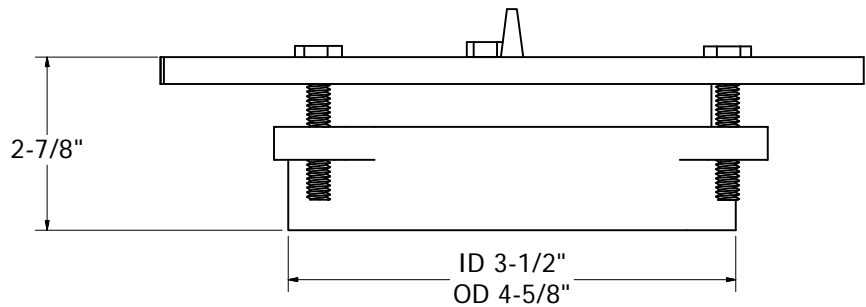
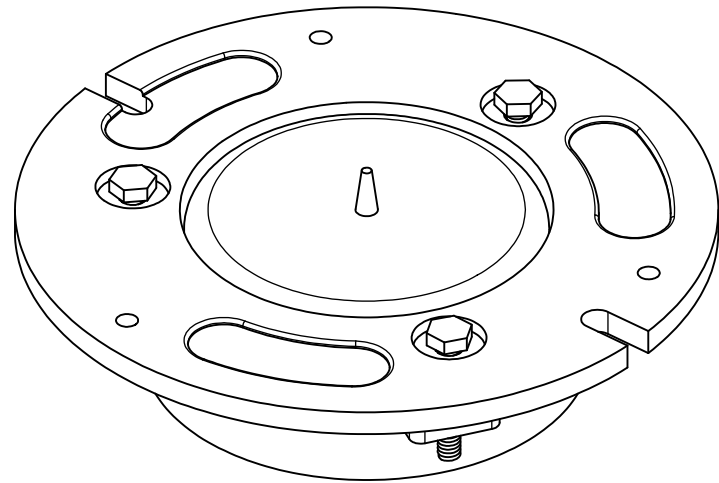
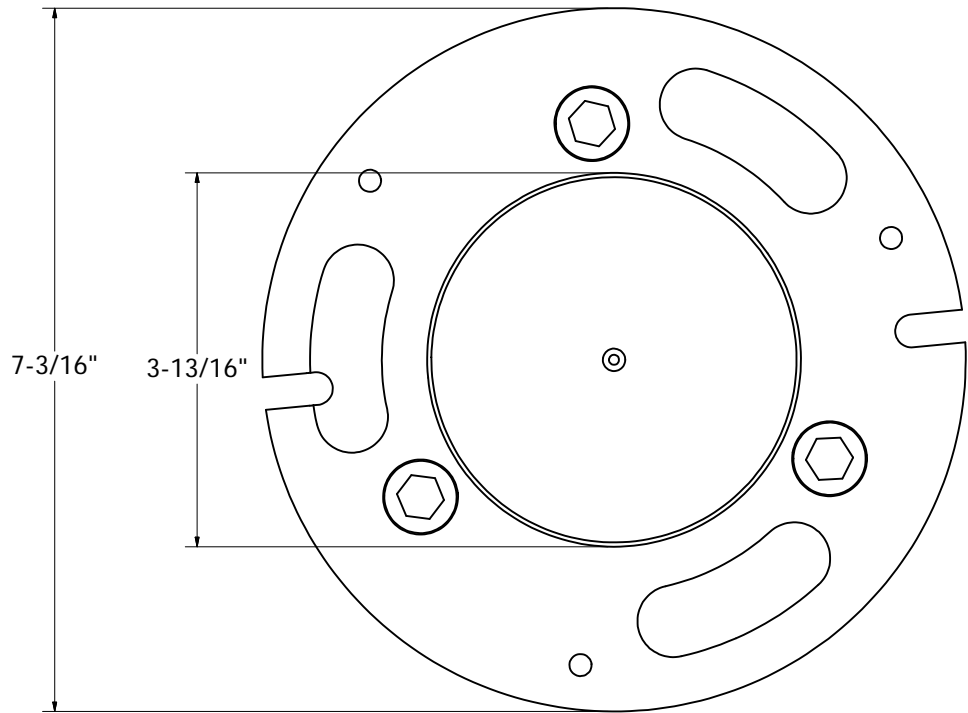


"CODE BLUE" NO CAULK CLOSET FLANGE W/TEST CAP



PHONE NUMBER 1-800-355-6637	PART NO.	C40503				
FAX NUMBER 1-800-462-6991						
SCALE 1 : 1	DATE 2-22-11	DESCRIPTION	3" X 3"			
SHEET 1 OF 1	CTN QTY	8				
DRAWN BY ASHLEY KRALOVEC						