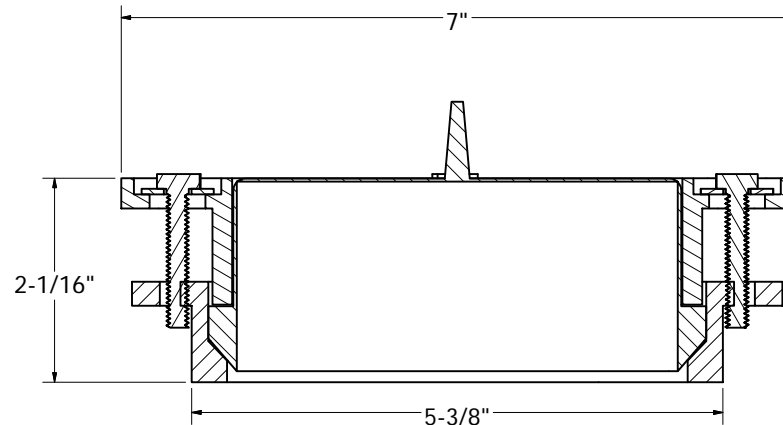
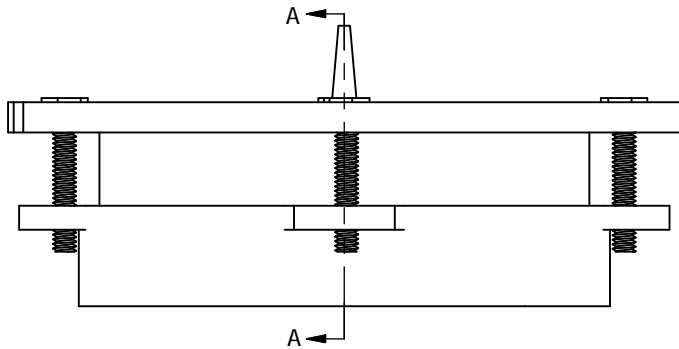
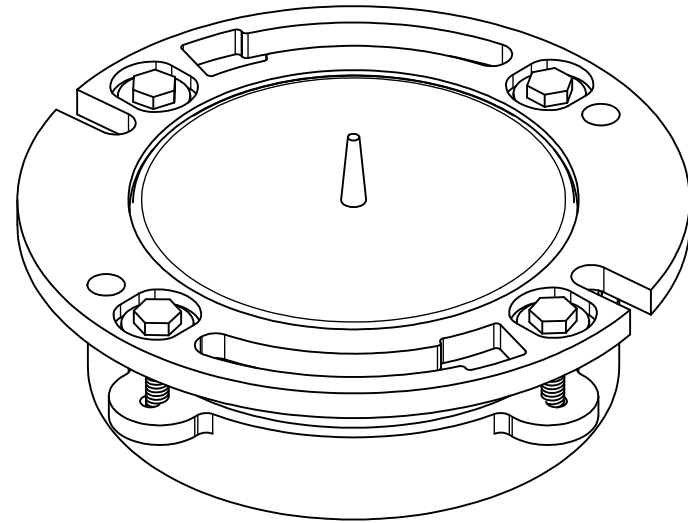
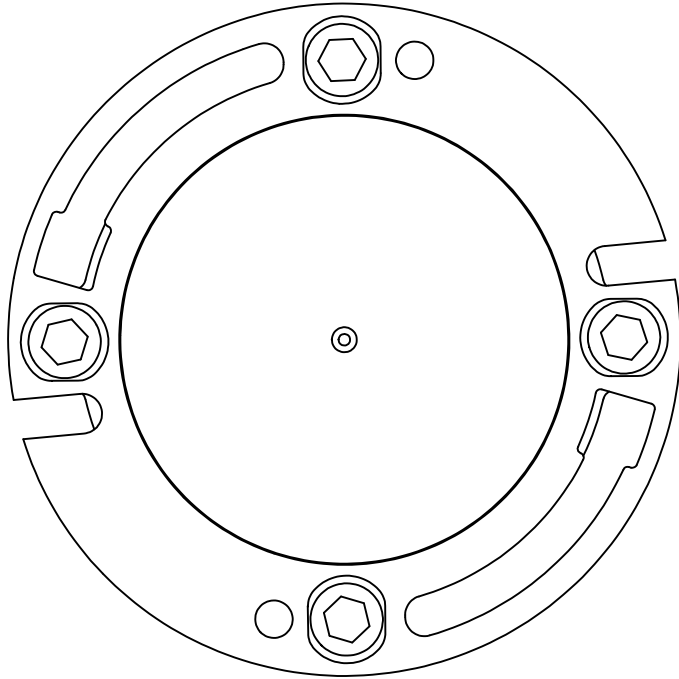


NO CAULK CLOSET FLANGE W/TEST CAP



-SLOTTED -STAINLESS BOLTS AND WASHERS

SECTION A-A
SCALE 1 : 1



PHONE NUMBER
1-800-355-6637
FAX NUMBER
1-800-462-6991
SCALE 1 : 1 DATE 11-01-12
SHEET 1 OF 1
DRAWN BY
ASHLEY KRALOVEC

PART NO.	C40425				
DESCRIPTION	4" X 2" NO CAULK				
CTN QTY	8				