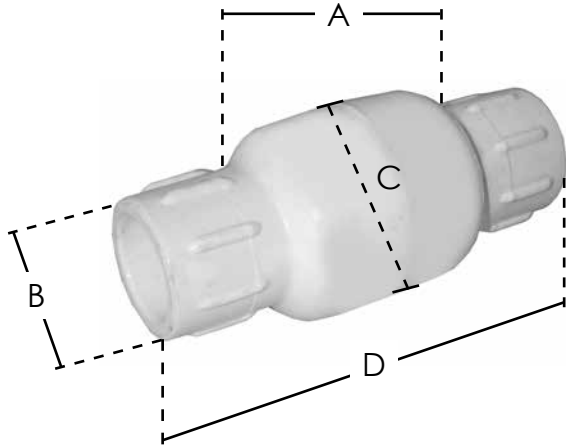


SPECIFICATION SUBMITTAL SHEET

JONES STEPHENS CORPORATION

INLINE PVC CHECK VALVES SOLVENT ENDS



features and benefits:

- EPDM seats
- Stainless steel spring
- Maintenance-free operation
- .5 psi required to open unit
- 200 psi static pressure rating at 77°F
- Use anywhere to stop backflow and siphoning: Spas, Hot Tubs, Swimming pools, Solar installations

This product and others like it can be found in the Jones Stephens catalog. Call today to order your catalog or download it from our website:
www.plumbest.com

PART NO.	SIZE	A	B	C	D
□ C30075	3/4"	2 3/8"	1 3/8"	2"	4 1/2"

Jones Stephens Corporation
3249 Moody Parkway • Moody, Alabama 35004
Toll Free Phone: 1-800-355-6637 • Toll Free Fax: 1-800-462-6991
www.plumbest.com