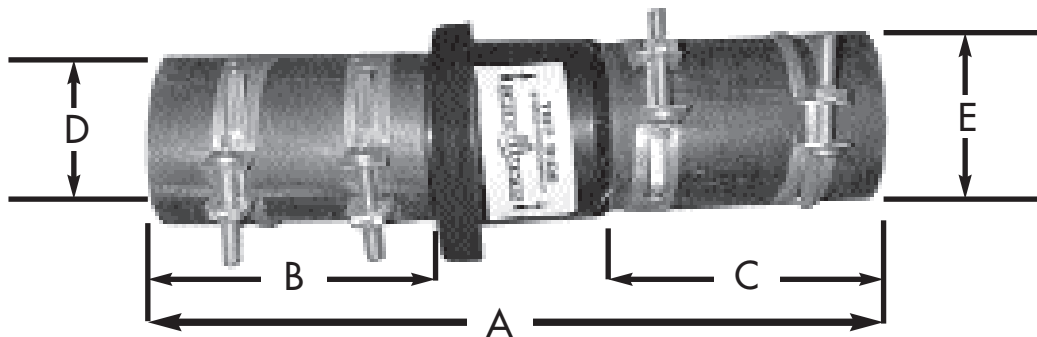


SPECIFICATION SUBMITTAL SHEET

j o n e s s t e p h e n s c o r p o r a t i o n

SEWAGE EJECTOR / SUMP PUMP CHECK



A	B	C	D	E
9 5/8"	3 1/2"	3 1/2"	3 3/8"	2 1/4"

PART NO.	DESCRIPTION
□ C29-200	2" SLIP x 2" SLIP

PART NO. C29-200

features and benefits:

- Couplings are sized for IPS ID hose

This product and others like it can be found in the Jones Stephens catalog. Call today to order your catalog or download it from our website: www.plumbest.com

jones stephens corporation
3249 moody parkway • moody, alabama 35004
toll free phone: 1-800-355-6637 • toll free fax: 1-800-462-6991
www.plumbest.com